

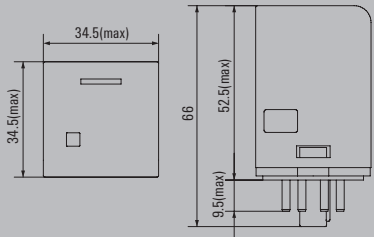
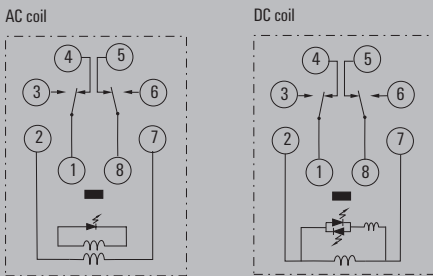
**DRR power relay**

**2 CO contact, AC/DC coil**

- 2,500 VA switching capacity
- 8-pole relay



**Circuit diagram**  
View on pins from below



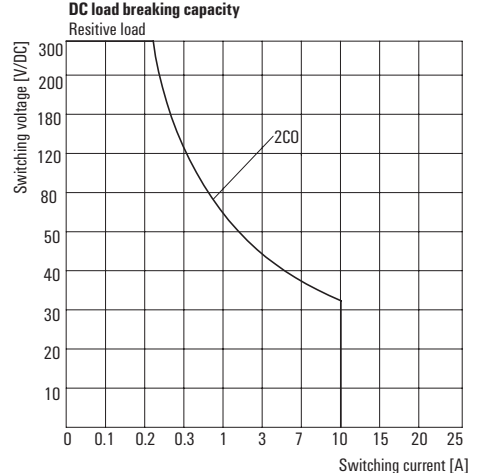
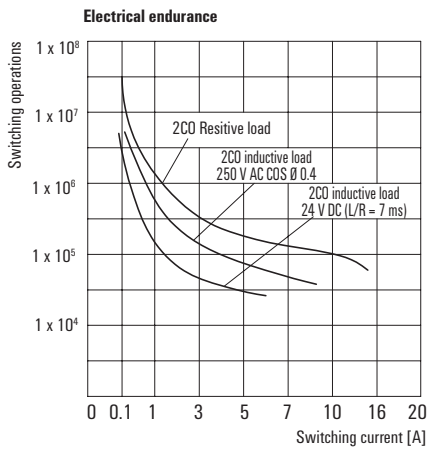
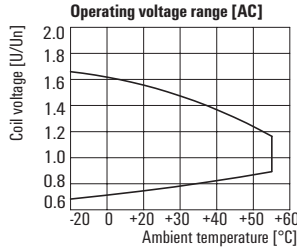
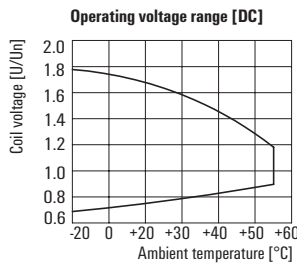
**Technical data**

Load side	
Rated switching voltage / Continuous current	250 V AC / 10 A
Max. switching voltage, AC	250 V
Inrush current	50 A / 50 ms
Min. switching power	100 mA @ 12 V
Contact type	2 CO contact (AgCdO)
Mechanical service life	10 x 10 <sup>6</sup> switching cycles
Max. switching frequency at rated load	0.1 Hz
General data	
Ambient temperature (operational)	-25 °C...55 °C
Storage temperature	-25 °C...55 °C
Humidity	5...85 % rel. humidity, no condensation
Approvals	CE; cURus; EAC
Insulation coordinates	
Rated voltage	250 V
Impulse withstand voltage	4 kV (1.2/50 µs)
Dielectric strength, Input/Output	2.5 kV <sub>eff</sub> / 1 Min.
Dielectric strength of neighbouring contacts	1.2 kV <sub>eff</sub> / 1 min.
Dielectric strength to mounting rail	
Creepage and clearance distance input - output	≥ 3 mm
Overvoltage category	III
Pollution degree	3

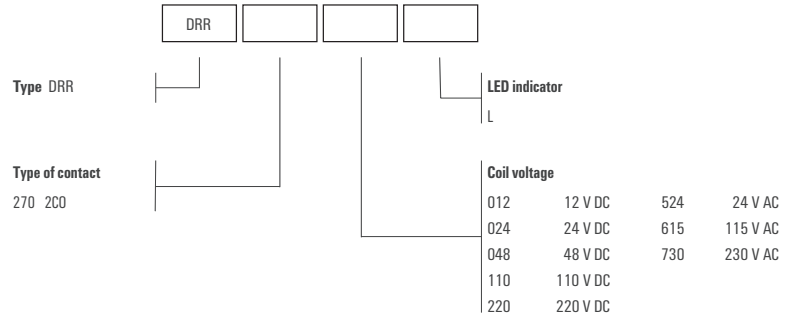
Dimensions	Plug-in connection
Depth x width x height	mm 66 / 34.5 / 34.5

**Note** Further technical data can be found at [catalog.weidmueller.com](http://catalog.weidmueller.com)

**Applications**



**DRR power relay**  
**2 CO contact, AC/DC coil**



**Ordering data**

Control side	12 V DC 2CO	24 V DC 2CO	48 V DC 2CO	110 V DC 2CO	220 V DC 2CO
Rated control voltage	12 V DC	24 V DC	48 V DC	110 V DC	220 V DC
Rated current AC / DC	/ 125 mA	/ 55.8 mA	/ 29.2 mA	/ 15 mA	/ 7.6 mA
Power rating	1.5 W	1.5 W	1.5 W	1.5 W	1.5 W
Status indicator	Green LED	Green LED	Green LED	Green LED	Green LED

Ordering data					
Type	DRR270012L	DRR270024L	DRR270048L	DRR270110L	DRR270220L
Order No.	<b>1133360000</b>	<b>1133370000</b>	<b>1133380000</b>	<b>1133390000</b>	<b>1133400000</b>
Type					
Order No.					
Note					

**Ordering data**

Control side	24 V AC 2CO	115 V AC 2CO	230 V AC 2CO
Rated control voltage	24 V AC	115 V AC	230 V AC
Rated current AC / DC	130 mA (50 Hz), 116 mA (60 Hz) /	29.8 mA (50 Hz), 25.4 mA (60 Hz) /	14.9 mA (50 Hz), 12.7 mA (60 Hz) /
Power rating	2.7 VA	2.7 VA	2.7 VA
Status indicator	red LED	red LED	red LED

Ordering data			
Type	DRR270524L	DRR270615L	DRR270730L
Order No.	<b>1133760000</b>	<b>1133780000</b>	<b>1133800000</b>
Type			
Order No.			
Note			

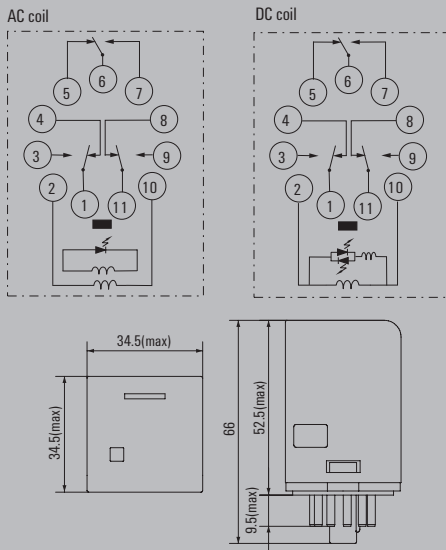
**DRR power relay**

**3 CO contact, AC/DC coil**

- 2,500 VA switching capacity
- 11-pole relay



**Circuit diagram**  
View on pins from below



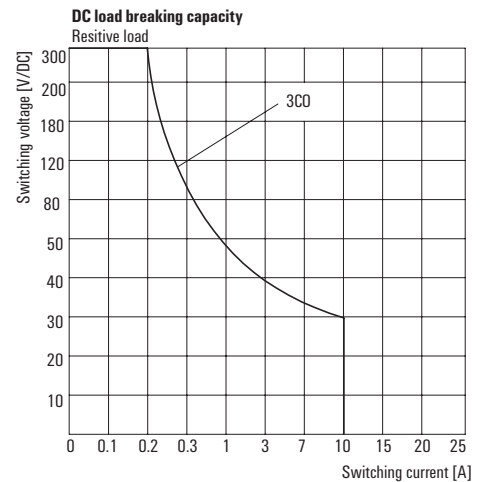
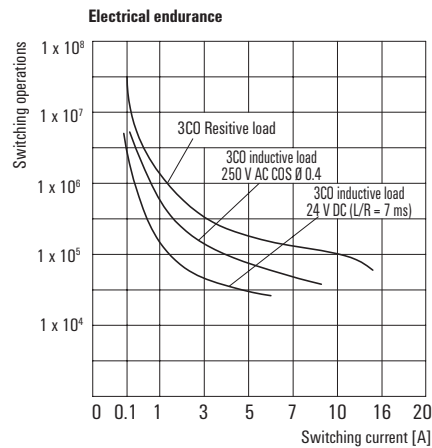
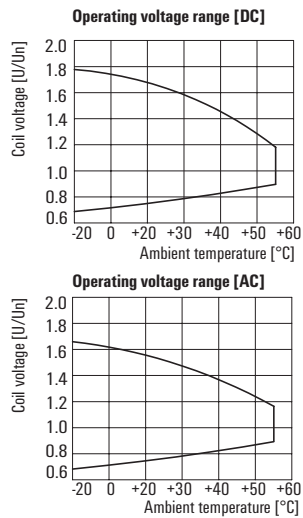
**Technical data**

Load side	
Rated switching voltage / Continuous current	250 V AC / 10 A
Max. switching voltage, AC	250 V
Inrush current	50 A / 50 ms
Min. switching power	100 mA @ 12 V
Contact type	3 CO contact (AgCdO)
Mechanical service life	10 x 10 <sup>6</sup> switching cycles
Max. switching frequency at rated load	0.1 Hz
General data	
Ambient temperature (operational)	-25 °C...55 °C
Storage temperature	-25 °C...55 °C
Humidity	5...85 % rel. humidity, no condensation
Approvals	CE; cURus; EAC
Insulation coordinates	
Rated voltage	250 V
Impulse withstand voltage	4 kV (1.2/50 µs)
Dielectric strength, Input/Output	2.5 kV <sub>eff</sub> / 1 Min.
Dielectric strength of neighbouring contacts	1.2 kV <sub>eff</sub> / 1 min.
Dielectric strength to mounting rail	
Creepage and clearance distance input - output	≥ 3 mm
Overvoltage category	III
Pollution degree	3

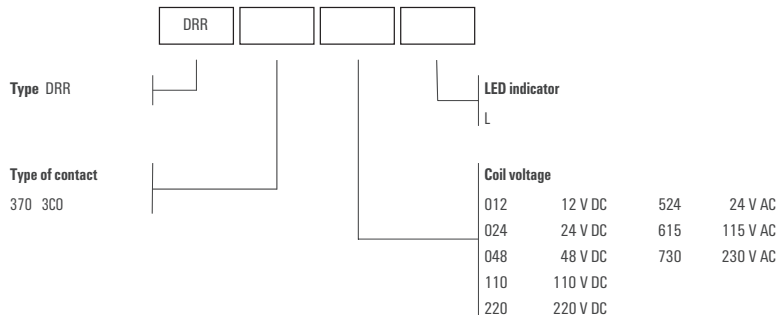
Dimensions	Plug-in connection
Depth x width x height	mm 66 / 34.5 / 34.5

**Note** Further technical data can be found at [catalog.weidmueller.com](http://catalog.weidmueller.com)

**Applications**



**DRR power relay**  
**3 CO contact, AC/DC coil**



**Ordering data**

	12 V DC 3CO	24 V DC 3CO	48 V DC 3CO	110 V DC 3CO	220 V DC 3CO
<b>Control side</b>					
Rated control voltage	12 V DC	24 V DC	48 V DC	110 V DC	220 V DC
Rated current AC / DC	/ 125 mA	/ 55.8 mA	/ 29.2 mA	/ 15 mA	/ 7.6 mA
Power rating	1.5 W	1.5 W	1.5 W	1.5 W	1.5 W
Status indicator	Green LED	Green LED	Green LED	Green LED	Green LED

Ordering data					
Type	DRR370012L	DRR370024L	DRR370048L	DRR370110L	DRR370220L
Order No.	<b>1133410000</b>	<b>1133420000</b>	<b>1133430000</b>	<b>1133440000</b>	<b>1133560000</b>
Type					
Order No.					
<b>Note</b>					

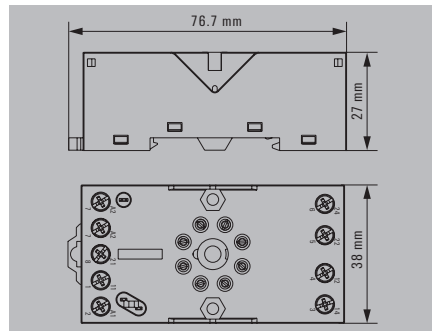
**Ordering data**

	24 V AC 3CO	115 V AC 3CO	230 V AC 3CO
<b>Control side</b>			
Rated control voltage	24 V AC	115 V AC	230 V AC
Rated current AC / DC	130 mA (50 Hz), 116 mA (60 Hz) /	29.8 mA (50 Hz), 25.4 mA (60 Hz) /	14.9 mA (50 Hz), 12.7 mA (60 Hz) /
Power rating	2.7 VA	2.7 VA	2.7 VA
Status indicator	red LED	red LED	red LED

Ordering data			
Type	DRR370524L	DRR370615L	DRR370730L
Order No.	<b>1133810000</b>	<b>1133820000</b>	<b>1133830000</b>
Type			
Order No.			
<b>Note</b>			

Accessories for DRR relays

Socket module with leaf spring connection, 2 CO contacts



Technical data

<b>Load side</b>	
Rated switching voltage	250 V AC
Max. switching voltage, AC	300 V
Continuous current	12 A
<b>General data</b>	
Ambient temperature (operational)	-40 °C...65 °C
Storage temperature	-40 °C...85 °C
Approvals	CE; cURus
<b>Insulation coordinates</b>	
Protection degree	IP20
Creepage and clearance distance input - output	≥ 4 mm
Dielectric strength, Input/Output	2.5 kV <sub>eff</sub> / 1 Min.
Dielectric strength of neighbouring contacts	2.21 kV <sub>eff</sub> / 1 min
Impulse withstand voltage	4.8 kV (1.2/50 µs)
<b>Connection data</b>	
Clamping range (nominal / min. / max.)	/ 0.5 / 2.5 mm <sup>2</sup>
Tightening torque	0.5...1 Nm
Stripping length, rated connection	7 mm
<b>Note</b>	

Ordering data

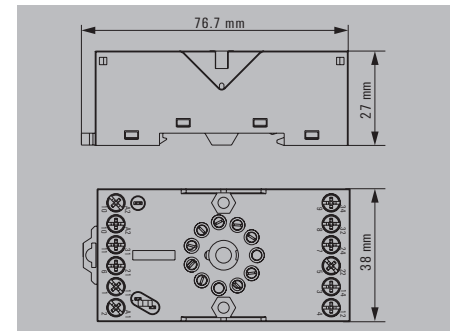
	Base, rail-mountable
<b>Note</b>	

Accessories

<b>LED module / protection modules</b>	
	RC element 6 - 230 V AC
	Free-wheeling diode 6 - 230 V DC
<b>Retaining clip</b>	Metal retaining clip
<b>Screwdriver</b>	Screwdriver, insulated PH1 SlimLine
	Standard, uninsulated
	Standard, insulated

**Note**

Socket module with leaf spring connection, 3 CO contacts



<b>Load side</b>	
Rated switching voltage	250 V AC
Max. switching voltage, AC	300 V
Continuous current	12 A
<b>General data</b>	
Ambient temperature (operational)	-40 °C...65 °C
Storage temperature	-40 °C...85 °C
Approvals	CE; cURus
<b>Insulation coordinates</b>	
Protection degree	IP20
Creepage and clearance distance input - output	≥ 4 mm
Dielectric strength, Input/Output	2.5 kV <sub>eff</sub> / 1 Min.
Dielectric strength of neighbouring contacts	2.21 kV <sub>eff</sub> / 1 min
Impulse withstand voltage	4.8 kV (1.2/50 µs)
<b>Connection data</b>	
Clamping range (nominal / min. / max.)	/ 0.5 / 2.5 mm <sup>2</sup>
Tightening torque	0.5...1 Nm
Stripping length, rated connection	7 mm
<b>Note</b>	

<b>Type</b>	<b>Qty.</b>	<b>Order No.</b>
SRD ECO 2CO	10	1132810000
<b>Type</b>	<b>Qty.</b>	<b>Order No.</b>
SRD ECO 3CO	10	1132820000

<b>Type</b>	<b>Qty.</b>	<b>Order No.</b>
RIM 5 6/230VAC	10	1174670000
RIM 5 6/230VDC	10	1174650000
<b>Type</b>	<b>Qty.</b>	<b>Order No.</b>
DRR CLIP M	10	1134160000
<b>Type</b>	<b>Qty.</b>	<b>Order No.</b>
SDIK PH1 SL	1	1274710000
SDIK PH1	1	9008570000
SDK PH1	1	9008480000

Further accessories can be found on the article at catalog.weidmueller.com