

# FEB, FEC, FEG, FEX, FEY

600 Volt In-Line Fuse Holders

## FUSE BLOCKS & HOLDERS



Mersen's complete line of single and dual pole in-line fuse holders accommodate either 1-1/2" x 13/32" (10 x 38 mm) midget or Class CC fuses. The fuse holders are designed for quick installation. Securing nuts or screws are captive thus speeding installation by reducing the need to locate and assemble loose components in the field. Three internal O-rings per pole seal the fuse holder providing a water-resistant compartment for the fuse. The captive O-rings are colored (blue for single pole and red for dual pole) for quick detection. Optional cone shaped insulator boots can be slipped on to provide a watertight seal (breakaway versions come with boots standard). Both single and dual pole versions have an optional breakaway feature which safely disconnects the load in case of a pole knockdown. Fuses remain safely encapsulated within the watertight fuse holder on the load side. Once the pole has been reinstalled the fuse holder can be easily reconnected.

### RECOMMENDED FUSE USAGE:

#### FEB and FEX holders use with:

Midget (1-1/2" x 13/32", 10 x 38 mm): ATQ, ATM, TRM, OTM, GGU, GFN, A13X-2, A25Z-2, A60Q-2, A6Y-2B

**FEC and FEY holders use with:** Class CC: ATDR, ATMR, ATQR

**FEG holders use with:** Class G: AG35-60A

### RATINGS:

- **Volts:** 600VAC / DC
- **Amps:** 30A Maximum, 60A FEG Series
- **SCCR:** 200kA (Class CC Fuses); 100kA (Midget Fuses)
- **Temperature Rating:** 155°C

### APPLICATIONS:

- Street lighting
- Parking lot lighting
- Traffic signaling
- Sports lighting
- Boats and marinas
- Humid/corrosive environments

### APPROVALS:

- UL Listed Class CC Guide IZLT, File E52283
- UL Recognized Component Midget Guide IZLT2, File E52283
- CSA Certified Class CC and Midget Class 6225, File 32169



HIGHLIGHTS:

- Breakaway version quickly disconnects line side during pole knockdown in compliance with state and federal highway commission standards
- 3 O-rings per pole for water tight applications
- Colored O-rings for quick detection
- Single and dual poles
- Accepts midget or Class CC fuses
- Wide assortment of terminal variations
- High heat, impact resistant insulator
- Captive nut or screw for quick installations
- Polarized dual pole provides simultaneous disconnection
- Permanently installed neutral versions quickly identified by white nuts
- Tulip fuse clip for improved contact and low losses
- Environmentally friendly-no lead solder used
- Highly visible catalog number even with insulation boots installed
- Wire gauge size identified on insulation boots for quick, accurate trimming
- Time delay for motor starting and transformer inrush

CATALOG NUMBERING SYSTEM

Family	Load Terminal	Line Terminal	Option
FEB-	1	1	-BA

NOMENCLATURE LEGEND

Family	Description
FEB	Single pole midget
FEC	Single pole Class CC
FEX	Dual Pole midget
FEY	Dual pole Class CC
FEBN	Single pole neutral
FEG	Single pole Class G

Notes:

1. Non-breakaway units do not include insulator boots. These optional cone shaped boots are available to provide a watertight installation. The insulator boots are designed to form a watertight seal over conductors, but due to varying wire insulation sizes it is suggested that tape wrap be utilized for best results.  
FSB1 = Single conductor boot (used to cover all crimp type & single set screw terminals)  
FSB2 = Double conductor boot (used to cover all double set screw (Y-type) terminals)  
Insulator boot trimming instructions: Locate wire gage size to be utilized marking on the boot and cut just beneath it.
2. Tightening torque for single and double set screw terminations: 35 lbs.-in.
3. Tightening torque for dual pole fastening screw: 10-15 lbs.-in.
4. FEBN versions have a permanently mounted dummy fuse for neutral applications.
5. \*FEG-21-21 accepts only the #6 stranded and solid wires. It is not designed to accept #4 or #10 wires.

Terminal End View	Terminal	Load or Line Terminal Type					Option Description
		Terminal	Type	Wire	No. Per	Solid	
	11		Cu Crimp	#8-#12 #12-#14	1 2	Yes Yes	Yes Yes
	21*		Cu Crimp	#10 #6 #4	2 1 1	Yes Yes Yes	Yes Yes No
	31		Cu Crimp	#10 #4	2 1	Yes No	Yes Yes
	41		Cu Crimp	#6 #2	2 1	Yes No	Yes Yes
	81		Cu single Set Screw	#2-#12	1	Yes	Yes
	91		Cu Double Set Screw	#2-#12	1 each	Yes	Yes
	82		Al single Set Screw	#2-#12	1	Yes	Yes
	92		Al double Set Screw	#2-#12	1 each	Yes	Yes
	S		Cu Stud	N/A	1	N/A	N/A

BA  
(breakaway version equipped with breakaway stud, breakaway boot, and insulating boots for both line and load sides)



MERSEN IN-LINE FUSE HOLDER FAMILY -  
TYPICAL COMBINATION CHART

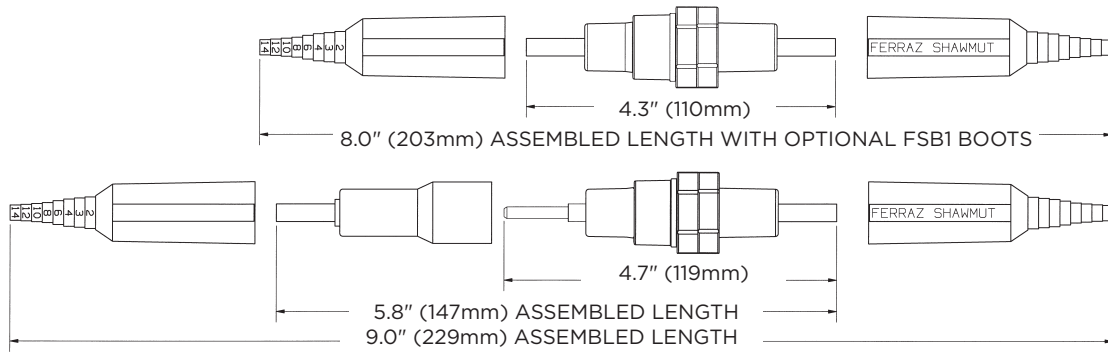
Midget 10x38mm	Midget 10x38mm Breakaway	Class CC	Class CC Breakaway	Midget 10x38mm Dual Pole	Midget 10x38mm Dual Pole Breakaway	Class CC Dual Pole	Class CC Dual Pole Breakaway	Class G
FEB-11-11	FEB-11-11-BA	FEC-11-11	FEC-11-11-BA	FEX-11-11	FEX-11-11-BA	FEY-11-11	FEY-11-11-BA	
FEB-11-21	FEB-11-21-BA	FEC-11-21	FEC-11-21-BA	FEX-11-21	FEX-11-21-BA	FEY-11-21	FEY-11-21-BA	FEG 21-21
FEB-11-31				FEX-11-31		FEY-11-31		
FEB-11-41	FEB-11-41-BA			FEX-11-41	FEX-11-41-BA	FEY-11-41		
	FEB-11-81-BA							
FEB-11-82	FEB-11-82-BA							
FEB-11-91	FEB-11-91-BA	FEC-11-91	FEC-11-91-BA				FEY-11-91-BA	
FEB-11-92	FEB-11-92-BA							
FEB-11-S								
FEB-21-11								
FEB-21-21	FEB-21-21-BA	FEC-21-21	FEC-21-21-BA	FEX-21-21	FEX-21-21-BA	FEY-21-21	FEY-21-21-BA	
FEB-21-91	FEB-21-91-BA							
FEB-31-31	FEB-31-31-BA							
FEB-41-41	FEB-41-41-BA							
FEB-81-81	FEB-81-81-BA	FEC-81-81	FEC-81-81-BA	FEX-81-81			FEY-81-81-BA	
FEB-81-91	FEB-81-91-BA			FEX-81-91	FEX-81-91-BA	FEY-81-91		
FEB-81-S								
FEB-82-82	FEB-82-82-BA							
FEB-82-92	FEB-82-92-BA							
	FEB-91-91-BA				FEX-81-91-BA			
FEBN-11-11	FEBN-11-11-BA							
FEBN-11-91	FEBN-11-91-BA							
FEBN-81-81	FEBN-81-81-BA							
FEB-SS								
					FEX-81-91-BA			

Note: Consult factory for other configurations.

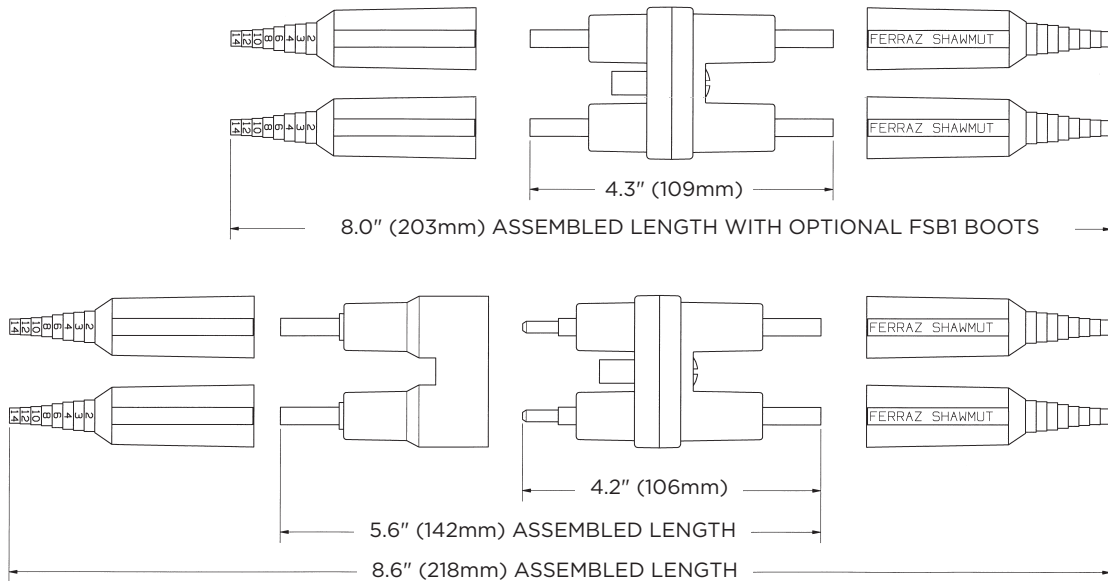
CRIMPING TOOLS REFERENCE CHART, THE FOLLOWING  
CRIMPING TOOLS (OR EQUIVALENT) ARE RECOMMENDED:

Terminal Type	FCI-Burndy	T&B
1	Y8MRB-1	WT-111M
2	Y2MR	TBM2/TBM5 BLUE DIE, WT-115-A DIE O
3	Y2MR	TBM2/TBM5 GREY DIE, WT-115-A DIE E
4	Y2MR	TBM2/TBM5 BROWN DIE, WT-115-A DIE F

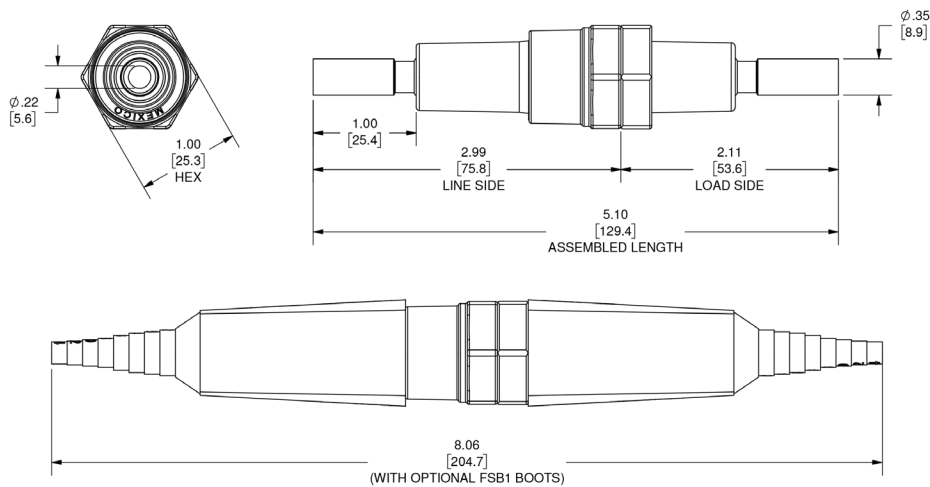
FEB AND FEC, NON-BREAKAWAY AND BREAKAWAY  
ASSEMBLY DRAWINGS



FEX AND FEY, NON-BREAKAWAY AND BREAKAWAY  
ASSEMBLY DRAWINGS



FEG NON-BREAKAWAY AND BREAKAWAY ASSEMBLY DRAWINGS



FB