

# Series L7 Motor Disconnect Switches up to 100A

UL508 approved device “suitable as motor disconnect”

Sprecher + Schuh’s L7 line incorporates the latest modular design techniques to provide maximum functionality with the fewest number of parts. These rugged switches are compact, reliable and the ideal choice for all disconnect applications including motor disconnects per UL-508 Part III. A device under this UL listing meets the requirements as a motor controller or “at motor disconnect.”



Just the right switch for your application

L7 Disconnect Switches are available in four frame sizes up to 100 amps. The smaller L7s come in six pole models, as well as three pole changeover switches. A full complement of switch handles and accessories including auxiliary contact blocks, ground and neutral terminals make the L7 line broad enough to tackle virtually any disconnect duty.

Modular, flexible and easy to assemble

The versatile L7 line is fully modular. All accessories snap-on and off without the use of tools, speeding assembly. The L7’s modular design minimizes inventory with features such as universal auxiliary contact blocks... virtually every block fits all frame sizes. Both metal and plastic shaft extension systems are available to accommodate most panel depths.

**TIP!**



Meets the toughest safety standards

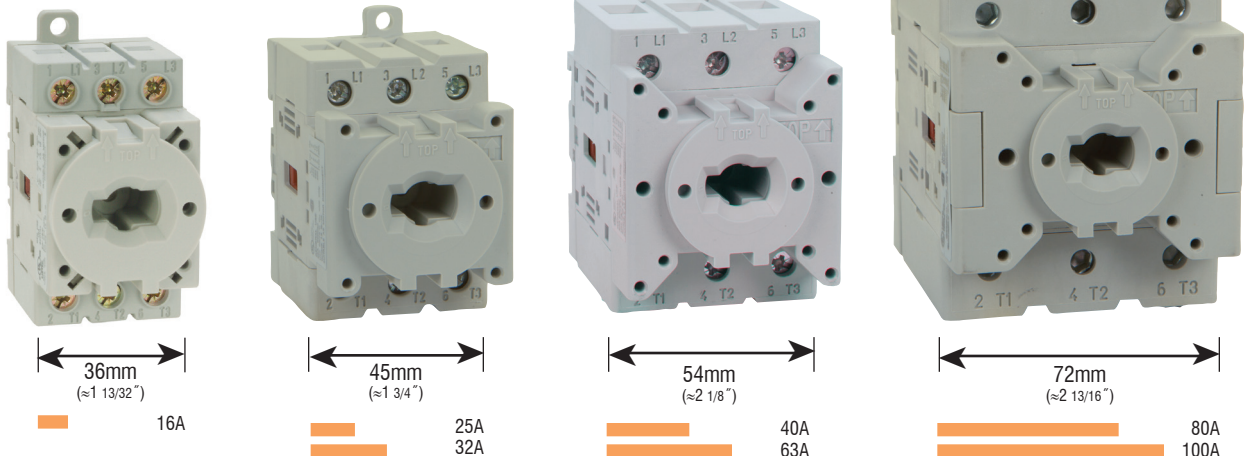
A generous 9mm gap between open contacts, combined with high short circuit withstand capabilities ensures a minimum probability of welding. All switches are touch safe to IP20, while most switch handles are rated for strong water jets to IP66. Excellent making and breaking characteristics provide a level of safety that, in many cases, exceeds international standards.

International standards and approvals

L7 Motor Disconnect Switches are UL Listed (UL508, Part III) and CSA approved (C22.2 No. 14). They also carry the CE Mark and meet IEC 947-1, 947-3, as well as IEC 207 requirements. They are approved in virtually every international market.

L7 Disconnect Switches

To learn the basic differences between control, load and fusible disconnect switches and how to apply them, see our white paper Tech-LMSD in the online library.



## Full range of enclosed disconnects for any job

From “do-it-yourself” to fully assembled, we offer a complete selection of three, four and six pole enclosed disconnects for any industrial application.

The most economical choice is to configure your own design (Figure 1) by selecting one of the non-UL/CSA Approved

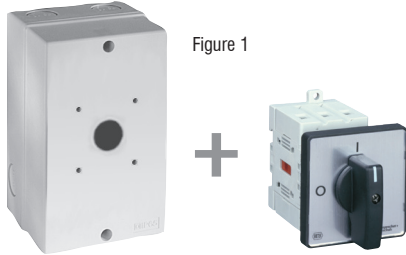


Figure 1

ABS or Noryl enclosures from page L17 and completing it with your choice of L7 switch from pages L4 ...L6. These enclosed disconnects are suitable for use in NEMA 4 type applications (not UL Listed).

An assembled version of this enclosed disconnect is available with LA7 three or six poles from page L6 (Figure 2).



Figure 2

A broad selection of assembled UL Enclosed disconnects are available on pages L14 and L15. Painted metal, stainless steel, polyester-fiberglass, and ABS (IP66) enclosures with three, four and six pole disconnect switches are available with all accessories (Figure 3).

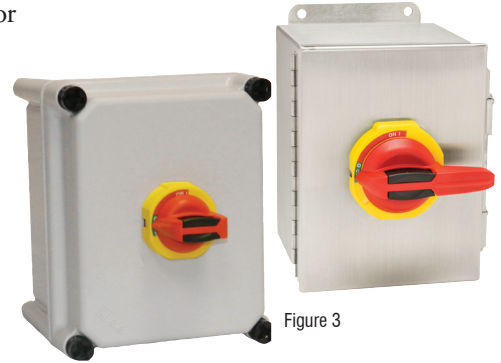


Figure 3

## How to order L7 motor disconnect switches

A complete L7 Motor Disconnect Switch is ordered with as little as two catalog numbers. The first number specifies the switch body and the second specifies the switch handle assembly. All L7 switch bodies come standard with

a shaft and mounting screws for the switch handle assembly. Accessories such as shaft extensions and auxiliary contact blocks are ordered separately.

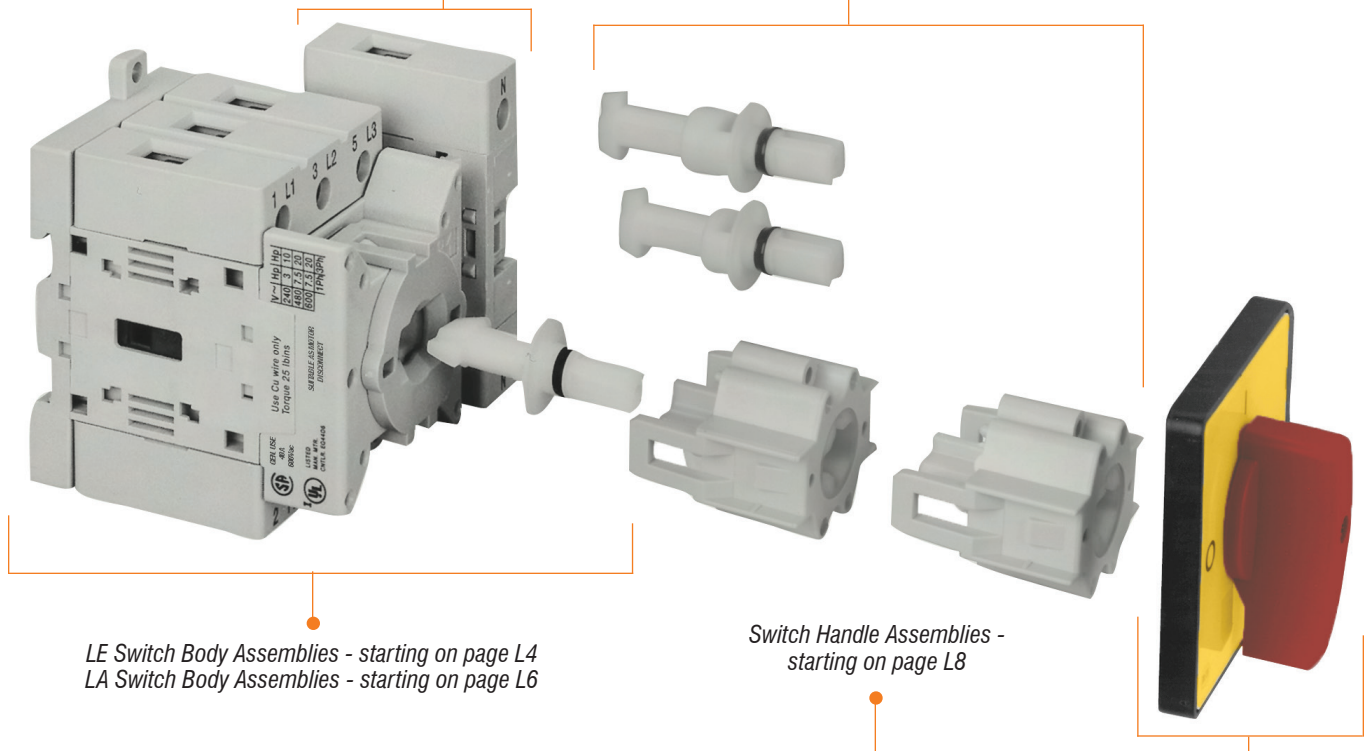
First determine the switch you need from pages L4...L6. Then turn to page L8 and L9 to choose a switch handle assembly.

If necessary, see page L12 and L13 to determine the type and length of shaft extension you require.

Auxiliary contact blocks, fourth poles, ground terminals and neutral terminals are found on page L10.

*Side Mount Accessories - page L10*  
*Miscellaneous Accessories - page L11*

*Modular Shaft Extensions (LA only) - page L12*  
*Metal Shaft Extensions (LA only) - page L13*



*LE Switch Body Assemblies - starting on page L4*  
*LA Switch Body Assemblies - starting on page L6*

*Switch Handle Assemblies - starting on page L8*

L7 Disconnect Switches

#### Front Mounted 3 Pole Switches - 90° Throw ①②

<p>3 Pole</p>	<p>Plastic</p>	<p>Plastic</p>	<p>Metal</p>		
	Catalog Number	Catalog Number	Catalog Number	Catalog Number	Catalog Number
<b>3 Pole &gt;</b>	<b>LE7-16-1753</b>	<b>LE7-25-1753</b>	<b>LE7-32-1753</b>	<b>LE7-40-1753</b>	<b>LE7-63-1753</b>
Amp Rating (encl.)					
UL/CSA	16	25	32	40	63
IEC/VDE/BS	16	25	32	40	63
3Ø Horsepower					
240V	3	5	7.5	10	15
480V	7.5	10	15	20	25
600V	10	10	15	20	25
1Ø Horsepower					
120V	1	1	1	2	3
240V	2	2	3	3	5
Dimension - mm (inches)	63 (2-31/64) - Height 36 (1-27/64) - Width 51 (2-1/64) - Depth ②	63 (2-31/64) - Height 45 (1-49/64) - Width 60 (2-23/64) - Depth ②		72 (2-55/64) - Height 54 (2-1/8) - Width 74 (2-29/32) - Depth ②	

<p>3 Pole</p>	<p>Metal</p>		
	Catalog Number	Catalog Number	
<b>3 Pole &gt;</b>	<b>LE7-80-1753</b>	<b>LE7-100-1753</b>	
Amp Rating (encl.)			
UL/CSA	80	100	
IEC/VDE/BS	80	100	
3Ø Horsepower			
240V	25	30	
480V	40	50	
600V	50	50	
1Ø Horsepower			
120V	5	7.5	
240V	10	15	
Dimension - mm (inches)	90 (3-35/64) - Height 72 (2-27/32) - Width 90 (3-35/64) - Depth ②		

① Fourth pole side-mounted module available. See page L10.

② Dimension without shaft.

③ Switch Handle position

**Front Mounted 3 Pole Changeover Switches and 6 Pole Switches - 90° Throw ①**

<p><i>Changeover</i> (Center OFF)</p> <p><i>6 Pole</i></p>	<p>Metal</p>		<p>Metal</p>		<p>Metal</p>	
	Catalog Number	Catalog Number	Catalog Number	Catalog Number	Catalog Number	Catalog Number
<b>Changeover &gt;</b>	<b>LE7-16-3753</b>	<b>LE7-25-3753</b>	<b>LE7-32-3753</b>	<b>LE7-40-3753</b>	<b>LE7-63-3753</b>	
<b>6 Pole &gt;</b>	<b>LE7-16-1756</b>	<b>LE7-25-1756</b>	<b>LE7-32-1756</b>	<b>LE7-40-1756</b>	<b>LE7-63-1756</b>	
Amp Rating (encl.)						
UL/CSA	16	25	32	40	63	
IEC/VDE/BS	16	25	32	40	63	
3Ø Horsepower						
240V	3	5	7.5	10	15	
480V	7.5	10	15	20	25	
600V	10	10	15	20	25	
1Ø Horsepower						
120V	1	1	1	2	3	
240V	2	2	1	3	5	
Dimension - mm (inches)	63 (2-31/64) - Height 90 (3-35/64) - Width 76 (3) - Depth ②		63 (2-31/64) - Height 90 (3-35/64) - Width 85 (3-11/32) - Depth ②		72 (2-55/64) - Height 108 (4-1/4) - Width 99 (3-57/64) - Depth ②	

<p><i>Changeover</i> (Center OFF)</p> <p><i>6 Pole</i></p>	<p>Metal</p>	
	Catalog Number	Catalog Number
<b>Changeover &gt;</b>	<b>LE7-80-3753</b>	<b>LE7-100-3753</b>
<b>6 Pole &gt;</b>	<b>LE7-80-1756</b>	<b>LE7-100-1756</b>
Amp Rating (encl.)		
UL/CSA	80	100
IEC/VDE/BS	80	100
3Ø Horsepower		
240V	25	30
480V	40	50
600V	50	50
1Ø Horsepower		
120V	5	7.5
240V	10	15
Dimension - mm (inches)	90 (3-35/64) - Height 144 (5-43/64) - Width 115 (4-17/32) - Depth ②	

① 3 Pole Changeover Switch has center OFF - ② Dimension without shaft.

#### Base Mounted 3 Pole Switches - 90° Throw ①③

<p>3 Pole</p>	<p>Plastic</p>	<p>Plastic</p>	<p>Metal</p>		
	Catalog Number	Catalog Num.	Catalog Num.	Catalog Num.	Catalog Num.
<b>3 Pole &gt;</b>	<b>LA7-16-1753</b>	<b>LA7-25-1753</b>	<b>LA7-32-1753</b>	<b>LA7-40-1753</b>	<b>LA7-63-1753</b>
Amp Rating (encl.)					
UL/CSA	16	25	32	40	63
IEC/VDE/BS	16	25	32	40	63
3Ø Horsepower					
240V	3	5	7.5	10	15
480V	7.5	10	15	20	25
600V	10	10	15	20	25
1Ø Horsepower					
120V	1	1	1	2	3
240V	2	2	3	3	5
Dimension - mm (inches)	63 (2-31/64) - Height 36 (1-27/64) - Width 51 (2-1/64) - Depth ②		63 (2-31/64) - Height 45 (1-49/64) - Width 60 (2-23/64) - Depth ②		72 (2-55/64) - Height 54 (2-1/8) - Width 74 (2-29/32) - Depth ②

<p>3 Pole</p>	<p>Metal</p>		
	Catalog Num.	Catalog Num.	
<b>3 Pole &gt;</b>	<b>LA7-80-1753</b>	<b>LA7-100-1753</b>	
Amp Rating (encl.)			
UL/CSA	80	100	
IEC/VDE/BS	80	100	
3Ø Horsepower			
240V	25	30	
480V	40	50	
600V	50	50	
1Ø Horsepower			
120V	5	7.5	
240V	10	15	
Dimension - mm (inches)	90 (3-35/64) - Height 72 (2-27/32) - Width 90 (3-35/64) - Depth ②		

① Fourth pole side-mounted module available. See page L10.

② Dimension without shaft.

③ Switch Handle position

### Base Mounted 3 Pole Changeover and 6 Pole Switches - 90° Throw ①③

<p><i>Changeover</i> (Center OFF)</p> <p>6 Pole</p>	<p>Metal</p>	<p>Metal</p>	<p>Metal</p>	<p>Metal</p>	<p>Metal</p>
	Catalog Number	Catalog Number	Catalog Number	Catalog Number	Catalog Number
<b>Changeover &gt;</b>	<b>LA7-16-3753</b>	<b>LA7-25-3753</b>	<b>LA7-32-3753</b>	<b>LA7-40-3753</b>	<b>LA7-63-3753</b>
<b>6 Pole &gt;</b>	<b>LA7-16-1756</b>	<b>LA7-25-1756</b>	<b>LA7-32-1756</b>	<b>LA7-40-1756</b>	<b>LA7-63-1756</b>
Amp Rating (encl.)					
UL/CSA	16	25	32	40	63
IEC/VDE/BS	16	25	32	40	63
3Ø Horsepower					
240V	3	5	7.5	10	15
480V	7.5	10	15	20	25
600V	10	10	15	20	25
1Ø Horsepower					
120V	1	1	1	2	3
240V	2	2	3	3	5
Dimension - mm (inches)	63 (2-31/64) - Height 90 (3-35/64) - Width 85 (3-11/32) - Depth ②	63 (2-31/64) - Height 90 (3-35/64) - Width 89 (3-1/2) - Depth ②	63 (2-31/64) - Height 90 (3-35/64) - Width 89 (3-1/2) - Depth ②	72 (2-55/64) - Height 108 (4-1/4) - Width 103 (4-1/16) - Depth ②	72 (2-55/64) - Height 108 (4-1/4) - Width 103 (4-1/16) - Depth ②

<p><i>Changeover</i> (Center OFF)</p> <p>6 Pole</p>	<p>Metal</p>	<p>Metal</p>
	Catalog Number	Catalog Number
<b>Changeover &gt;</b>	<b>LA7-80-3753</b>	<b>LA7-100-3753</b>
<b>6 Pole &gt;</b>	<b>LA7-80-1756</b>	<b>LA7-100-1756</b>
Amp Rating (encl.)		
UL/CSA	80	100
IEC/VDE/BS	80	100
3Ø Horsepower		
240V	25	30
480V	40	50
600V	50	50
1Ø Horsepower		
120V	5	7.5
240V	10	15
Dimension - mm (inches)	90 (3-35/64) - Height 144 (5-43/64) - Width 119 (4-17/32) - Depth ②	90 (3-35/64) - Height 144 (5-43/64) - Width 119 (4-17/32) - Depth ②

- ① 3 Pole Changeover Switch has center OFF -
- ② Dimension without shaft.
- ③ Insert LA2-G3399 is required for 3-position changeover switches when using LA2-G3399\_metal shaft extensions.



### Switch Handle Assemblies (LA and LE Switches)

Switch Handle Assembly ❶	Color	Mounting Method	Protection Rating	For use with...	Frame Size	Legend ❷	Catalog Number
 <p>Type A</p>	Silver Legend ❷ Black Knob	Screw Fixing ❶	Type 12, IP66	LA/LE7-16...63A	48 X 48	0-I OFF-ON 1-0-2 ❸	LFS2-A-4-175 LFS2-A-4-175I LFS2-A-4-375
			Type 12, IP66	LA/LE7-25...100A ❹	64 X 64	0-I OFF-ON 1-0-2 ❸	LFS2-A-6-175 LFS2-A-6-175I LFS2-A-6-375
			Type 12, IP66	LA/LE7-40...100A	88 X 88	0-I OFF-ON 1-0-2 ❸	LFS2-A-8-175 ❺ LFS2-A-8-175I ❺ LFS2-A-8-375
		Central Nut	Type 12, IP66	LE7-16...63A	48 X 48	0-I OFF-ON	LFC2-A-4-175 LFC2-A-4-175I
 <p>Type E</p>	Silver Legend ❷ Black Knob ❸	Screw Fixing ❶	Type 12, IP66	LA/LE7-16...63A	48 X 48	0-I OFF-ON 1-0-2 ❸	LFS2-E-4-175 LFS2-E-4-175I LFS2-E-4-375
			Type 12, IP66	LA/LE7-25...100A ❹	64 X 64	0-I OFF-ON 1-0-2 ❸	LFS2-E-6-175 LFS2-E-6-175I LFS2-E-6-375
			Central Nut	Type 12, IP66	LE7-16...63A	48 X 48	0-I OFF-ON
 <p>Type I</p>	Yellow Legend ❷ Red Knob	Screw Fixing ❶	Type 12, IP66	LA/LE7-16...63A	48 X 48	0-I OFF-ON 1-0-2 ❸	LFS2-I-4-175 LFS2-I-4-175I LFS2-I-4-375
			Type 12, IP66	LA/LE7-25...100A ❹	64 X 64	0-I OFF-ON 1-0-2 ❸	LFS2-I-6-175 LFS2-I-6-175I LFS2-I-6-375
			Type 12, IP66	LA/LE7-40...100A	88 X 88	0-I OFF-ON 1-0-2 ❸	LFS2-I-8-175 ❺ LFS2-I-8-175I ❺ LFS2-I-8-375
		Central Nut	Type 12, IP66	LE7-16...63A	48 X 48	0-I OFF-ON	LFC2-I-4-175 LFC2-I-4-175I
 <p>Type L</p>	Yellow Legend ❷ Red Knob ❸	Screw Fixing ❶	Type 12, IP66	LA/LE7-16...63A	48 X 48	0-I OFF-ON 1-0-2 ❸	LFS2-L-4-175 LFS2-L-4-175I LFS2-L-4-375
			Type 12, IP66	LA/LE7-25...100A ❹	64 X 64	0-I OFF-ON	LFS2-L-6-175 LFS2-L-6-175I
			Central Nut	Type 12, IP66	LE7-16...63A	48 X 48	0-I OFF-ON



- ❶ Mounting screws included with Switch Body Assembly.
- ❷ For blank legend plate, substitute "000" for last three digits in catalog number.  
Example: LFS2-A-4-000.
- ❸ Lockable in OFF position, ON position or both.
- ❹ Only for use with 3 Pole Changeover switch.

- ❺ Only for use with LA/LE7-25...63 three pole Changeover Switches. Use 88 x 88 Switch Handle for 80 and 100A Changeover Switch.
- ❻ This handle cannot be used on a mechanical coupling accessory L2-G3\* when coupling any LE7 switches. Must select smaller 48x48 or 64x64 type handles for LE7 coupling applications.

**Switch Handle Assemblies (LA and LE Switches) ②**

Switch Handle Assembly	Color	Mounting Method	Protection Rating	For use with...	Frame Size	Legend	Catalog Number
 <p><b>Type G</b></p>	Gray Frame Black Handle	Screw Fixing ①	Type 12, IP66	LA/LE7-16	54 x 54	0 — I OFF — ON	<b>LFS7-G-4-175</b>
			Type 12, IP66	LA7-16...100A LE7-25...100A	67 x 67	0 — I OFF — ON	<b>LFS2-G-6-175</b>
			Type 12, IP66	LA/LE7-40...100A	90 x 90	0 — I OFF — ON	<b>LFS2-G-8-175 ⑥</b>
		Central Nut	Type 12, IP66	LE7-16...63A	67 x 67	0 — I OFF — ON	<b>LFC2-G-6-175</b>
 <p><b>Type N</b></p>	Yellow Frame Red Handle	Screw Fixing ①	Type 12, IP66	LA/LE7-16	54 x 54	0 — I OFF — ON	<b>LFS7-N-4-175</b>
			Type 12, IP66	LA7-16...100A LE7-25...100A	67 x 67	0 — I OFF — ON	<b>LFS2-N-6-175</b>
			Type 12, IP66	LA/LE7-40...100A	90 x 90	0 — I OFF — ON	<b>LFS2-N-8-175 ⑥</b>
		Central Nut	Type 12, IP66	LE7-16...63A	67x67	0 — I OFF — ON	<b>LFC2-N-6-175</b>

**Switch Handle Assemblies for LA7 Switches - Type 4/4X ①②③④⑤**


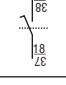

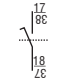

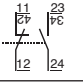

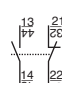

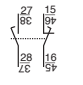

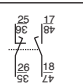

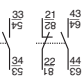

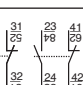
Switch Handle Assembly	Mounting Method	Protection Rating	For use with...	Frame Size	Legend	Color	Catalog Number
 <p><b>Type R</b></p>	Screw Fixing Configurable for defeatable or non-defeatable	Type 3R, 3, 12, 4, 4X IP66	LA7-16...100A	48.7 x 47	0 — I OFF — ON	Black Frame Black Handle	<b>LA7-SB</b>
		Type 3R, 3, 12, 4, 4X IP66		48.7 x 47	0 — I OFF — ON	Yellow Frame Red Handle	<b>LA7-SY</b>
 <p><b>Type R</b></p>	Screw Fixing Configurable for defeatable or non-defeatable	Type 3R, 3, 12, 4, 4X	LA7-16...100A	80 x 114	0 — I OFF — ON	Black Frame Black Handle	<b>L11-PB</b>
		Type 3R, 3, 12, 4, 4X		80 x 114	0 — I OFF — ON	Yellow Frame Red Handle	<b>L11-PY</b>

- ① Mounting screws included with Switch Body Assembly.
- ② Lockable in OFF position with up to 3 padlocks.
- ③ For LA7 base mount switches only.
- ④ Switch handle can be field modified to be defeatable or non-defeatable.

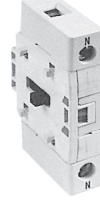

- ⑤ Handles LA7-S\_ and L11-P\_ require R-type Switch Handle Shaft Extension. See page L13.
- ⑥ This handle cannot be used on a mechanical coupling accessory L2-G3\* when coupling any LE7 switches. Must select smaller 48x48 or 64x64 type handles for LE7 coupling applications.







**Auxiliary Contact Blocks ②**

Aux. Contact Block	Contact Configuration	For use with...	Catalog Number
<b>One NO (Early Break) ①</b>			
		LE7-16 LE7-25...100	<b>LE7-16-P-D10</b> <b>LE7-P-D10</b>
		LA7-16 LA7-25...100	<b>LA7-16-P-D10</b> <b>LA7-P-D10</b>
<b>One NO and One NC (Instantaneous)</b>			
		LE7-16...100	<b>LE7-P-11</b>
		LA7-16...100	<b>LA7-P-11</b>
<b>One NOEM and One NCLB (Make Before Break)</b>			
		LE7-16...100	<b>LE7-PL-11</b>
		LA7-16...100	<b>LA7-PL-11</b>
<b>Two NO and Two NC (Instantaneous)</b>			
		LE7-16...100	<b>LE7-P-22</b>
		LA7-16...100	<b>LA7-P-22</b>

**Fourth Pole ②**

Fourth Pole	Contact Configuration	For use with...	Catalog Number
<b>Early Make-Late Break</b>			
		LE7-16 LE7-25 LE7-32 LE7-40 LE7-63 LE7-80 LE7-100	<b>LE7-16-NP</b> <b>LE7-25-NP</b> <b>LE7-32-NP</b> <b>LE7-40-NP</b> <b>LE7-63-NP</b> <b>LE7-80-NP</b> <b>LE7-100-NP</b>
		LA7-16 LA7-25 LA7-32 LA7-40 LA7-63 LA7-80 LA7-100	<b>LA7-16-NP</b> <b>LA7-25-NP</b> <b>LA7-32-NP</b> <b>LA7-40-NP</b> <b>LA7-63-NP</b> <b>LA7-80-NP</b> <b>LA7-100-NP</b>

**Ground & Neutral Terminals ②**

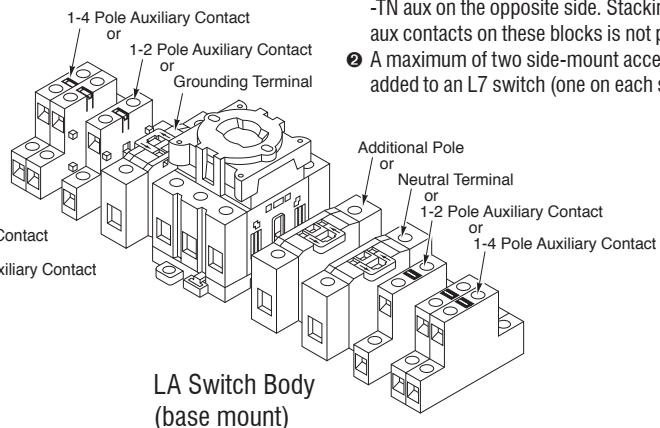
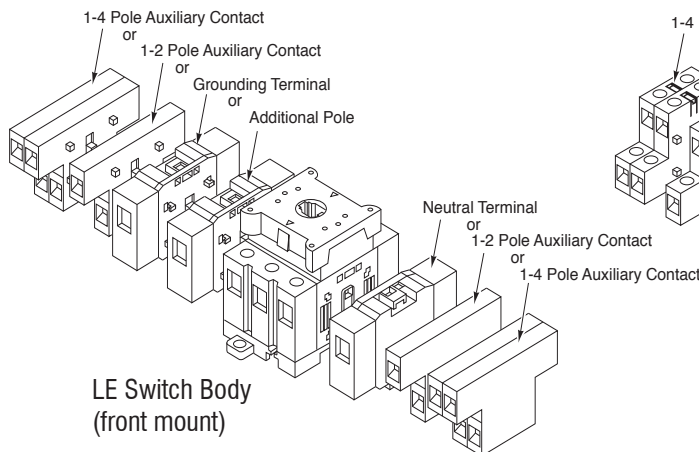
Terminal	Contact Configuration	For use with...	Catalog Number
<b>Ground Terminal</b>			
		LA7-16 LA7-25 & 32 LA7-40 & 63 LA7-80 & 100	<b>LA7-16-PE</b> <b>LA7-32-PE</b> <b>LA7-63-PE</b> <b>LA7-100-PE</b>
		LE7-16 LE7-25 & 32 LE7-40 & 63 LE7-80 & 100	<b>LE7-16-PE</b> <b>LE7-32-PE</b> <b>LE7-63-PE</b> <b>LE7-100-PE</b>
<b>Neutral Terminal</b>			
		LA7-16 LA7-25 & 32 LA7-40 & 63 LA7-80 & 100	<b>LA7-16-TN</b> <b>LA7-32-TN</b> <b>LA7-63-TN</b> <b>LA7-100-TN</b>
		LE7-16 LE7-20 & 32 LE7-40 & 63 LE7-80 & 100	<b>LE7-16-TN</b> <b>LE7-32-TN</b> <b>LE7-63-TN</b> <b>LE7-100-TN</b>

**L Accessory Mounting Guide**






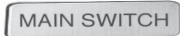

Various accessories can be mounted simultaneously on both the LA7 (base mount) and LE7 (front mount) switch bodies. The drawings below illustrate which combinations are possible.

① All N.O. Early Break Contact Blocks mount on the left and/or right side by themselves, or with -NP, -PE, -TN aux on the opposite side. Stacking additional aux contacts on these blocks is not possible.

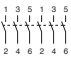

② A maximum of two side-mount accessories may be added to an L7 switch (one on each side)



**L7 Switch Accessories**

Accessory	Description	Catalog Number
 <p>(Reducer included)</p>	<p><b>End Shaft</b> - for LE switch ②</p> <ul style="list-style-type: none"> <li>Replacement 44mm shaft supplied standard with all switches</li> <li><b>Sold only in packages of 2.</b></li> <li><b>Order 2 pieces to receive 1 pkg of 2.</b></li> </ul> <p style="text-align: right;">Plastic Metal</p>	<p><b>L2-G3380</b> <b>L7-G3688 ①</b></p>
	<p><b>Terminal cover</b> - 3 pole</p> <p>LE/LA7-16 LE/LA7-25/32 LE/LA7-40/63 LE/LA7-80/100</p> <ul style="list-style-type: none"> <li><b>Sold only in packages of 2.</b></li> <li><b>Order 2 pieces to receive 1 pkg of 2.</b></li> </ul>	<p><b>L7-16-C3</b> <b>L7-25-C3</b> <b>L7-40-C3</b> <b>L7-80-C3</b></p>
	<p><b>Terminal cover</b> - 4 pole</p> <p>LE/LA7-25/32 LE/LA7-40/63 LE/LA7-80/100</p> <ul style="list-style-type: none"> <li><b>Sold only in packages of 2.</b></li> <li><b>Order 2 pieces to receive 1 pkg of 2.</b></li> </ul>	<p><b>L7-25-C4</b> <b>L7-40-C4</b> <b>L7-80-C4</b></p>
	<p><b>6 Pole Mechanical Coupling</b> - ②③</p> <p>joins two L7 switches (front or base mount) to form a 6 pole switch (includes 44 mm metal End Shafts for both LE and LA switch)</p> <p>LE7-16 LE/LA7-25 &amp; 32 LE/LA7-40 &amp; 63 LE/LA7-80 &amp; 100</p>	<p><b>L7-G3821</b> <b>L7-G3660</b> <b>L7-G3661</b> <b>L7-G3662</b></p>
	<p><b>Snap-on Nameplate &amp; Holder</b></p> <p>Snaps on to switch handle frames of the following sizes:</p> <p>For 48x48, 64x64 &amp; 67x67</p>	<p><b>L2-G3667</b></p>
	<p><b>Nameplate for Snap-on Holder</b></p> <p>fits cat. # L2-G3667 &amp; L2-G3515</p> <p>For L2-G3667 "Main Switch" "Emergency Off"</p> <p>For L2-G3515 "Main Switch" "Emergency Off"</p>	<p><b>L2-G3667A</b> <b>L2-G3667H</b> <b>L2-G3515A</b> <b>L2-G3515H</b></p>
	<p><b>Handle Assembly Wrench</b></p> <p>Used for tightening LA7-S-_ handles during assembly</p>	<p><b>LA7-N245</b></p>

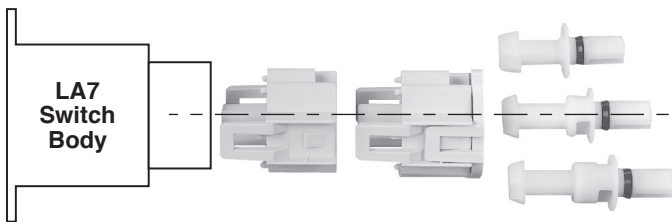
① LE7-40...100 3-pole switches and LE7-16...100 6-pole/Changeover switches come standard with a 44mm **metal** End Shaft. LE7-16...32 3-pole switches come standard with a 44mm **plastic** End Shaft.

② When using mechanical coupler to join two LE7 or LA7 three pole switches, terminal markings will be:  To obtain terminal markings  order six pole switch from pages L5 and L7. Coupling for changeover switch is not available.

③ Mechanical couplings applied to all LE7 front mount switches must use LFS2- 48x48 or 64x64 type handles. 6-Pole Mechanical Couplings are not designed for use with LFS2- 88x88 or 90x90 type handles. Mechanical couplings applied to all LA7 base mount switches may use all types of LFS2 handles where applicable.

## Modular shaft extension system

Shaft Extension Modules are ideal for lengthening the shaft of an LA7 switch up to 144mm (≈5.5"). These rugged polycarbonate modules are 24mm (≈15/16") long and snap on "piggyback" to one another without the use of tools. Strong center shafts interlock as each module is snapped together. The standard 44mm End Shaft supplied with every LA7 switch connects the last Extension Module with the Switch Handle Assembly. End Shafts of 52 and 57mm are also available, making this modular system versatile, fast and economical. Shaft Extension Modules are supplied two per package.

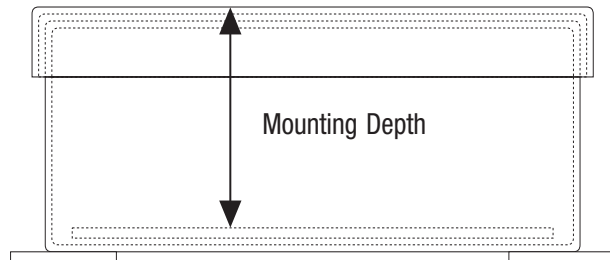


## Modular Shaft Extension Components ③

Component	Description	Catalog Number
	<b>44mm End Shaft</b> - one 44mm shaft supplied standard with all switches Plastic shaft Metal shaft	<b>LA2-G2830</b> <b>L7-G3687</b> ②
	<b>52mm End Shaft</b> - Plastic shaft Metal shaft	<b>LA2-G3194</b> <b>L7-G3707</b> ②
	<b>57mm End Shaft</b> - Plastic shaft	<b>LA2-G3195</b>
	<b>Extension Modules</b> - Two per package	<b>LA2-G2853</b>

## Determining modular shaft extension components

- Determine Mounting Depth. This is the distance from the inside mounting surface of the enclosure to the **outside surface** of the enclosure cover. See diagram below for details. ①



- If necessary convert Mounting Depth inches to millimeters (inches x 25.4 = millimeters).

**NOTE:** Table is based on a standard 3 or 4 pole switch body. For 6 pole switches, **deduct 25mm** from the overall Mounting Depth before referring to table.

- In the Modular Shaft Extension Table to the right, find the Mounting Depth in the column under the appropriate LA7 Switch Body.
- Order the End Shaft and number of Extension Modules required for that Mounting Depth.

## Modular Shaft Extension Table

Number of Extension Modules	Required End Shaft	Mounting Depth (mm) ①			
		Switch Body LA7-16	Switch Body LA7-25/32	Switch Body LA7-40/63	Switch Body LA7-80/100
0	<b>44mm</b> ②	57.5-63.5	66.5-72.5	79.5-84.5	96-102
0	<b>52mm</b>	65-73	74-82	81.5-94	98-111.5
0	<b>57mm</b>	70-78	79-87	86.5-99	103-116.5
1	<b>44mm</b> ②	81.5-87.5	90.5-96.5	103.5-109.5	120-126
1	<b>52mm</b>	83.5-97	92.5-106	105.5-119	122-135.5
1	<b>57mm</b>	88.5-102	97.5-111	110.5-124	127-140.5
2	<b>44mm</b> ②	105.5-111.5	114.5-120.5	127.5-133.5	144-150
2	<b>52mm</b>	107.5-121	116.5-130	129.5-143	146-159.5
2	<b>57mm</b>	112.5-126	121.5-135	134.5-148	151-164.5
3	<b>44mm</b> ②	129.5-135.5	138.5-144.5	151.5-157.5	168-174
3	<b>52mm</b>	131.5-145	140.5-154	153.5-167	170-183.5
3	<b>57mm</b>	136.5-150	145.5-159	158.5-172	175-188.5
4	<b>44mm</b> ②	153.5-159.5	162.5-168.5	175.5-181.5	192-198
4	<b>52mm</b>	155.5-169	164.5-178	177.5-191	194-207.5
4	<b>57mm</b>	160.5-174	169.5-183	182.5-196	199-212.5
5	<b>44mm</b> ②	177.5-183.5	186.5-192.5	199.5-205.5	216-222
5	<b>52mm</b>	179.5-193	188.5-202	201.5-215	218-231.5
5	<b>57mm</b>	184.5-198	193.5-207	206.5-220	223-236.5
6	<b>44mm</b> ②	201.5-207.5	210.5-216.5	223.5-229.5	240-246
6	<b>52mm</b>	203.5-217	212.5-226	225.5-239	242-255.5
6	<b>57mm</b>	208.5-222	217.5-231	230.5-244	247-260.5

- ① For DIN rail mounted devices, remember to deduct the offset distance provided by the rail. For example, deduct 2.5mm from the Mounting Depth for switch bodies mounted on DIN 46277 rail.
- ② LA7-40...100 3-pole switches and LA7-16...100 6-pole/Changeover switches come standard with a 44mm **metal** End Shaft. LA7-16...32 3-pole switches come standard with a 44mm **plastic** End Shaft.
- ③ Order replacement End Shafts for LE (front mount switches) from page L11.

## Metal shaft extension system

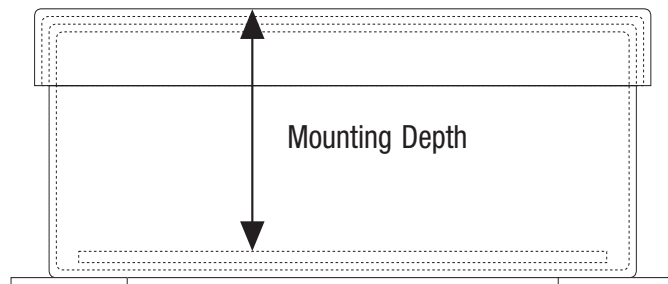
Adjustable metal shaft extensions snap on securely to LA7 switches via the same quick-connect design as shaft extension modules. Metal shafts are equipped with a door interlock and a padlock hasp for locking out the switch after the enclosure is opened (for outside lockout, select a Switch Handle Assembly with lockout capability).



Two standard lengths of these unique adjustable shafts are available. Metal shaft extensions mate with any of the standard Switch Handle Assemblies on pages L8 and L9. All necessary hardware is supplied with the shaft.

### Determining metal shaft extension


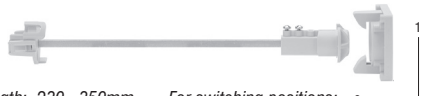

- Determine Mounting Depth. This is the distance from the inside mounting surface of the enclosure to the **outside surface** of the enclosure cover. See diagram below for details. ❶



- If necessary convert Mounting Depth inches to millimeters (inches x 25.4 = millimeters).
- NOTE:** Tables are based on a standard 3 or 4 pole switch body. For 6 pole switches, deduct 25mm from overall Mounting Depth before referring to table.
- In the Metal Shaft Extension Table to the right, find the Mounting Depth in the column under the appropriate LA7 Switch Body.
- Order the Metal Shaft Extension required for that Mounting Depth.

- ❶ For DIN rail mounted devices, remember to deduct the offset distance provided by the rail. For example, deduct 2.5mm from the Mounting Depth for switch bodies mounted on DIN 46277 rail.
- ❷ This dimension can be reduced another 55mm by cutting the plastic sleeve and further cutting the metal shaft.
- ❸ If using Metal Shaft Extension System with LA7 3 Pole Changeover Switches, insert LA2-G3399 is required for three position switching. Lockout at the switch is not possible. See page L8 for Type E or Type L lockable handles for lockout on outside of enclosure.
- ❹ Shaft included in package is designed for LA7-S\_ and L11-P\_ only. Not for use with previous handles.

## Metal Shaft Extension Components (LA7-16...100)

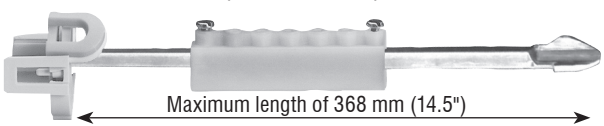
Component	Catalog Number
 Length: 110...235mm For switching positions: 0	LA2-G3393 ❸
 Length: 230...350mm For switching positions: 0	LA2-G3394 ❸
 Insert - For modifying metal shaft for use with 3 Pole Changeover Switches (SEE IMPORTANT NOTE ❸)	LA2-G3399

### Metal Shaft Extension Table

Metal Shaft Extension	Mounting Depth (mm) ❶			
	Switch Body LA7-16	Switch Body LA7-25/32	Switch Body LA7-40/63	Switch Body LA7-80/100
LA2-G3393	168❸ - 299	173❸ - 304	186❸ - 317	203❸ - 334
LA2-G3394	288 - 414	293 - 419	306 - 432	323 - 449

## R-type Switch Handle Shaft Extensions (LA7-16...100) ❹

Only select shaft extension from this table if ordering the R-type (UL Type 4X) Switch Handle (page L9). Select shaft after figuring overall Mounting Depth.

R-type Switch Handle Shaft Extension (typical)				
Mounting Depth (mm) ❶				Catalog Number
LA7-16	LA7-25/32	LA7-40/63	LA7-80/100	
84.5-108.5	93.5-117.5	117.5-131.5	123.5-147.5	LA7-S-67
107.5-131.5	116.5-140.5	130.5-154.5	146.5-170.5	LA7-S-90
114.5-138.5	123.5-147.5	137.5-161.5	153.5-177.5	LA7-S-97
132.5-156.5	141.5-165.5	155.5 - 179.5	171.5-195.5	LA7-S-115
Adjustable R-type Switch Handle Shaft Extension (LA7-S1-P shown)				
 Maximum length of 368 mm (14.5")				
130-385	144-399	157-412	174-429	LA7-S1-P
Includes all parts except L11-S1 shaft, order separately				LA7-NS-P

**L7 Enclosed Motor Disconnects (UL and CSA Approved Enclosures) ①②**

UL/ CSA Amps		Horsepower					Catalog Number	Dimension ⑤	Horsepower					Catalog Number	Dimension ⑤	Horsepower					Catalog Number	Dimension ⑤																																																																											
		1Ø		3Ø					1Ø		3Ø					1Ø		3Ø																																																																															
		120V	240V	240V	480V	600V																																																																																											
<b>3 Pole - ON/OFF</b>																																																																																																	
16	1	2	3	7.5	10	LA7-16-1753-WN	A	LA7-16-1753-CN	C	LA7-16-1753-CR	C	LA7-16-1753-SR	A	25	1	2	5	10	10	LA7-25-1753-WN	A	LA7-25-1753-CN	C	LA7-25-1753-CR	C	LA7-25-1753-SR	A	32	1	3	7.5	15	15	LA7-32-1753-WN	A	LA7-32-1753-CN	C	LA7-32-1753-CR	C	LA7-32-1753-SR	A	40	2	3	10	20	20	LA7-40-1753-WN	A	LA7-40-1753-CN	C	LA7-40-1753-CR	C	LA7-40-1753-SR	A	63	3	5	15	25	25	LA7-63-1753-WN	A	LA7-63-1753-CN	C	LA7-63-1753-CR	C	LA7-63-1753-SR	A	80	5	10	25	40	50	LA7-80-1753-WN	B	LA7-80-1753-CN	D	LA7-80-1753-CR	D	LA7-80-1753-SR	B	100	7.5	15	30	50	50	LA7-100-1753-WN	B	LA7-100-1753-CN	D	LA7-100-1753-CR	D	LA7-100-1753-SR	B
<b>4 Pole - ON/OFF ④</b>																																																																																																	
16	1	2	3	7.5	10	LA7-16-1754-WN	A	LA7-16-1754-CN	C	LA7-16-1754-CR	C	LA7-16-1754-SR	A	25	1	2	5	10	10	LA7-25-1754-WN	A	LA7-25-1754-CN	C	LA7-25-1754-CR	C	LA7-25-1754-SR	A	32	1	3	7.5	15	15	LA7-32-1754-WN	A	LA7-32-1754-CN	C	LA7-32-1754-CR	C	LA7-32-1754-SR	A	40	2	3	10	20	20	LA7-40-1754-WN	A	LA7-40-1754-CN	C	LA7-40-1754-CR	C	LA7-40-1754-SR	A	63	3	5	15	25	25	LA7-63-1754-WN	A	LA7-63-1754-CN	C	LA7-63-1754-CR	C	LA7-63-1754-SR	A	80	5	10	25	40	50	LA7-80-1754-WN	B	LA7-80-1754-CN	D	LA7-80-1754-CR	D	LA7-80-1754-SR	B	100	7.5	15	30	50	50	LA7-100-1754-WN	B	LA7-100-1754-CN	D	LA7-100-1754-CR	D	LA7-100-1754-SR	B
<b>6 Pole - ON/OFF</b>																																																																																																	
16	1	2	3	7.5	10	LA7-16-1756-WN	B	LA7-16-1756-CN	D	LA7-16-1756-CR	D	LA7-16-1756-SR	B	25	1	2	5	10	10	LA7-25-1756-WN	B	LA7-25-1756-CN	D	LA7-25-1756-CR	D	LA7-25-1756-SR	B	32	1	3	7.5	15	15	LA7-32-1756-WN	B	LA7-32-1756-CN	D	LA7-32-1756-CR	D	LA7-32-1756-SR	B	40	2	3	10	20	20	LA7-40-1756-WN	B	LA7-40-1756-CN	D	LA7-40-1756-CR	D	LA7-40-1756-SR	B	63	3	5	15	25	25	LA7-63-1756-WN	B	LA7-63-1756-CN	D	LA7-63-1756-CR	D	LA7-63-1756-SR	B																												

**Modifications (Factory Assembled) ②**

Description	Catalog Number Suffix
<b>Ground Terminal</b>	
For LA7-16	-PE
For LA7-25 & 32	-PE
For LA7-40 & 63	-PE
For LA7-80 & 100	-PE
<b>Neutral Terminal</b>	
For LA7-16	-TN ⑤
For LA7-25 & 32	-TN ⑤
For LA7-40 & 63	-TN ⑤
For LA7-80 & 100	-TN ⑤





**NOTE:** All -WN and -CN Enclosed Disconnects come standard with a round, yellow and red, screw fixing handle (Type N) with ON/OFF marking. For a round gray and black handle, change "N" to "G". Example: change LA7-25-1753-WN to LA7-25-1753-WG. For a gray and black square handle (LFS2-A), change "N" to "A". For example, change LA7-25-1753-WN to LA7-25-1753-WA.

All -CR and -SR Enclosed Disconnects come standard with a round yellow and red handle set to defeatable door interlocking mode (Type R) and ON/OFF marking. For a black handle change "R" to "B". For example, change LA7-25-1753-CR to LA7-25-1753-CB. Note: L11-S\*/P\* Handles can be field converted to non-defeatable mode by inserting a plastic tab which ships in a packet with the enclosed assemblies. See pages L8...L9 for descriptions of all Switch Handle Assemblies.

- ① UL/CSA Approved enclosures do not provide for knockouts. Wire opening must be drilled by user.
- ② Up to two modifications available per Enclosed Disconnect (one modification possible on 4 pole switches).
- ③ Not available on four pole switches.
- ④ One additional factory modification possible.
- ⑤ Non-metallic enclosures are fiberglass reinforced polyester type.

- ⑥ LA7-...-CR and -SR Enclosures with dim codes A and C include LA7-S\_ Handles, and dim codes B and D include L11-P\_ handles. Transition to LA7-S\* handles will be a gradual change.
- ⑦ To substitute L11 4X handle add -PY for yellow/red or -PB for black handle; For example: LA7-25-1753-WN changes to LA7-25-1753-WN-PY.

**L7 Enclosed Motor Disconnects (UL and CSA Approved Enclosures) ①**

UL/CSA Amps		Horsepower					Catalog Number	Dimension ③	Catalog Number	Dimension ③	Catalog Number	Dimension ③	Catalog Number	Dimension ③
		1Ø		3Ø										
		120V	240V	240V	480V	600V								
							Painted Steel - UL Type 1/3/12/4 LFS2 Operator - Type 12/IP66 ⑥		Nonmetallic - UL Type 1/3/12/4 LFS2 Operator - Type 12/IP66 ⑥		Nonmetallic - UL Type 4/4X Operator - UL Type 4/4X		Stainless Steel - UL Type 4/4X Operator - UL Type 4/4X	
<b>3 Pole - ON/OFF (with 1 NOEM and 1 NCLB - Make Before Break)</b>														
16	1	2	3	7.5	10	LA7-16-1753-WN-PL11	A	LA7-16-1753-CN-PL11	C	LA7-16-1753-CR-PL11	C	LA7-16-1753-SR-PL11	A	
25	1	2	5	10	10	LA7-25-1753-WN-PL11	A	LA7-25-1753-CN-PL11	C	LA7-25-1753-CR-PL11	C	LA7-25-1753-SR-PL11	A	
32	1	3	7.5	15	15	LA7-32-1753-WN-PL11	A	LA7-32-1753-CN-PL11	C	LA7-32-1753-CR-PL11	C	LA7-32-1753-SR-PL11	A	
40	2	3	10	20	20	LA7-40-1753-WN-PL11	A	LA7-40-1753-CN-PL11	C	LA7-40-1753-CR-PL11	C	LA7-40-1753-SR-PL11	A	
63	3	5	15	25	25	LA7-63-1753-WN-PL11	A	LA7-63-1753-CN-PL11	C	LA7-63-1753-CR-PL11	C	LA7-63-1753-SR-PL11	A	
80	5	10	25	40	50	LA7-80-1753-WN-PL11	B	LA7-80-1753-CN-PL11	D	LA7-80-1753-CR-PL11	D	LA7-80-1753-SR-PL11	B	
100	7.5	15	30	50	50	LA7-100-1753-WN-PL11	B	LA7-100-1753-CN-PL11	D	LA7-100-1753-CR-PL11	D	LA7-100-1753-SR-PL11	B	
<b>4 Pole - ON/OFF (with 1 NOEM and 1 NCLB - Make Before Break) ③</b>														
16	1	2	3	7.5	10	LA7-16-1754-WN-PL11	A	LA7-16-1754-CN-PL11	C	LA7-16-1754-CR-PL11	C	LA7-16-1754-SR-PL11	A	
25	1	2	5	10	10	LA7-25-1754-WN-PL11	A	LA7-25-1754-CN-PL11	C	LA7-25-1754-CR-PL11	C	LA7-25-1754-SR-PL11	A	
32	1	3	7.5	15	15	LA7-32-1754-WN-PL11	A	LA7-32-1754-CN-PL11	C	LA7-32-1754-CR-PL11	C	LA7-32-1754-SR-PL11	A	
40	2	3	10	20	20	LA7-40-1754-WN-PL11	A	LA7-40-1754-CN-PL11	C	LA7-40-1754-CR-PL11	C	LA7-40-1754-SR-PL11	A	
63	3	5	15	25	25	LA7-63-1754-WN-PL11	A	LA7-63-1754-CN-PL11	C	LA7-63-1754-CR-PL11	C	LA7-63-1754-SR-PL11	A	
80	5	10	25	40	50	LA7-80-1754-WN-PL11	B	LA7-80-1754-CN-PL11	D	LA7-80-1754-CR-PL11	D	LA7-80-1754-SR-PL11	B	
100	7.5	15	30	50	50	LA7-100-1754-WN-PL11	B	LA7-100-1754-CN-PL11	D	LA7-100-1754-CR-PL11	D	LA7-100-1754-SR-PL11	B	
<b>6 Pole - ON/OFF (with 1 NOEM and 1 NCLB - Make Before Break)</b>														
16	1	2	3	7.5	10	LA7-16-1756-WN-PL11	B	LA7-16-1756-CN-PL11	D	LA7-16-1756-CR-PL11	D	LA7-16-1756-SR-PL11	B	
25	1	2	5	10	10	LA7-25-1756-WN-PL11	B	LA7-25-1756-CN-PL11	D	LA7-25-1756-CR-PL11	D	LA7-25-1756-SR-PL11	B	
32	1	3	7.5	15	15	LA7-32-1756-WN-PL11	B	LA7-32-1756-CN-PL11	D	LA7-32-1756-CR-PL11	D	LA7-32-1756-SR-PL11	B	
40	2	3	10	20	20	LA7-40-1756-WN-PL11	B	LA7-40-1756-CN-PL11	D	LA7-40-1756-CR-PL11	D	LA7-40-1756-SR-PL11	B	
63	3	5	15	25	25	LA7-63-1756-WN-PL11	B	LA7-63-1756-CN-PL11	D	LA7-63-1756-CR-PL11	D	LA7-63-1756-SR-PL11	B	

**Modifications (Factory Assembled) ②**

Description	Catalog Number Suffix
<b>Ground Terminal</b>	
For LA7-16	-PE
For LA7-25 & 32	-PE
For LA7-40 & 63	-PE
For LA7-80 & 100	-PE
<b>Neutral Terminal</b>	
For LA7-16	-TN
For LA7-25 & 32	-TN
For LA7-40 & 63	-TN
For LA7-80 & 100	-TN




**NOTE:** All -WN and -CN Enclosed Disconnects come standard with a round, yellow and red, screw fixing handle (Type N) with ON/OFF marking. For a round gray and black handle, change "N" to "G". Example: change LA7-25-1753-WN to LA7-25-1753-WG. For a gray and black square handle (Type A), change "N" to "A". Example: change LA7-25-1753-WN to LA7-25-1753-WA.

All -CR and -SR Enclosed Disconnects come standard with a round yellow and red handle set to defeatable door interlocking mode (Type R) and ON/OFF marking. For a black handle change "R" to "B". For example, change LA7-25-1754-CR-PL11 to LA7-25-1754-CB-PL11. *Note: L11-S\*/P\* Handles can be field converted to non-defeatable mode by inserting a plastic tab which ships in a packet with the enclosed assemblies. See pages L8...L9 for descriptions of all Switch Handle Assemblies.*


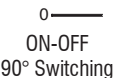
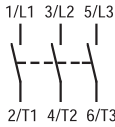

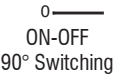
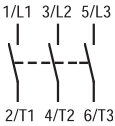
- ① UL/CSA Approved enclosures do not provide for knockouts. Wire opening must be drilled by user.
- ② One modification available per Enclosed Disconnect (no modifications available on 4 pole).
- ③ Factory modifications not available.
- ④ Nonmetallic enclosures are fiberglass reinforced polyester type.

- ⑤ LA7-...-CR and -SR Enclosures with dim codes A & C include LA7-S\_ Handles, and dim codes B & D include L11-P\_ handles. Transition to LA7-S\* handles will be a gradual change.
- ⑥ To substitute L11 4X handle add -PY for yellow/red or -PB for black handle. For example: LA7-25-1753-WN-PL11 changes to LA7-25-1753-WN-PY-PL11.

### LY7 Enclosed Load Disconnect Switches (IP Rated Enclosures) ①



Amp/Horsepower Rating		Plastic - IP66 ABS Enclosure Operator - IP66, Red/Yellow (Type N)					Plastic - IP66 ABS Enclosure Operator - IP66, Gray/Black (Type G)					Plastic - IP66 ABS Enclosure Operator - IP66, Silver/Black (Type A)				
																
UL/CSA Amps	Horsepower						Catalog Number	Catalog Number	Catalog Number							
	1Ø		3Ø													
	120V	240V	240V	480V	600V											
<b>3 Pole - ON/OFF</b>																
16	1	2	3	7.5	10	LY7-16M-1753-N4	LY7-16M-1753-G4	LY7-16M-1753-A4								
25	1	2	5	10	10	LY7-25-1753-N6	LY7-25-1753-G6	LY7-25-1753-A6								
32	1	3	7.5	15	15	LY7-32-1753-N6	LY7-32-1753-G6	LY7-32-1753-A6								
40	2	3	10	20	20	LY7-40-1753-N6	LY7-40-1753-G6	LY7-40-1753-A6								
63	3	5	15	25	25	LY7-63-1753-N6	LY7-63-1753-G6	LY7-63-1753-A6								
80	5	10	25	40	50	LY7-80-1753-N6	LY7-80-1753-G6	LY7-80-1753-A6								
100	7.5	15	30	50	50	LY7-100-1753-N6	LY7-100-1753-G6	LY7-100-1753-A6								
<b>6 Pole - ON/OFF</b>																
16	1	2	3	7.5	10	LY7-16M-1756-N6	LY7-16M-1756-G6	LY7-16M-1756-A6								
25	1	2	5	10	10	LY7-25-1756-N6	LY7-25-1756-G6	LY7-25-1756-A6								
32	1	3	7.5	15	15	LY7-32-1756-N6	LY7-32-1756-G6	LY7-32-1756-A6								
40	2	3	10	20	20	LY7-40-1756-N6	LY7-40-1756-G6	LY7-40-1756-A6								
63	3	5	15	25	25	LY7-63-1756-N6	LY7-63-1756-G6	LY7-63-1756-A6								

### Assembled L7 Disconnect Switches


Switch	Description	Function	Color	Circuit	Poles	UL/CSA Amps	Catalog Number
	<b>Type Q Load Switch</b> - This pre-assembled switch is designed for panels with standard 45mm cutouts. The specially designed switch handle also makes it ideal for mounting <i>within</i> a distribution panel when ready access to the operator is not desired. Finger-proof to IP20.		Gray face/ Black Handle		3	25	LA7-25-1753-Q
						32	LA7-32-1753-Q
	<b>Emergency Off Switch</b> - This yellow and red pre-assembled switch is designed as an Emergency Off for panels with standard 45mm cutouts. The specially designed switch handle also makes it ideal for mounting <i>within</i> a distribution panel when a color coded OFF switch is desired. Finger-proof to IP20 with provision for locking with one padlock.		Yellow face/ Red handle		3	25	LA7-25-1753-R
						32	LA7-32-1753-R

① Suitable for use in NEMA 4 type applications (not UL listed).

**Thermoplastic Enclosures (IP Rated)**

Accessory	Description	Enclosure Size	For use with...	Poles	Shaft Required...	Catalog Number
	<b>ABS Enclosure – For High Impact Applications</b> IP66, UL94 Flame Resistance - HB Includes 1 Grounding/Neutral terminal.  With pre-drilled holes for 64 x 64 operator or larger  Without holes	95 (W) x 150 (H) x 86 (D)	LA7-25...32	3 / 4	LA2-G3194	<b>LA2-G3572</b>
		95 (W) x 150 (H) x 111 (D)				<b>LA2-G3573</b>
		125 (W) x 180 (H) x 105 (D)	LA7-25...32	6	With switch Supplied with enclosure	<b>L7-G3663</b>
			LA7-40...63	3 / 4		
		175 (W) x 230 (H) x 120 (D)	LA7-40...63	6	With switch Supplied with enclosure	<b>L7-G3665</b>
			LA7-80...100	3 / 4		
95 (W) x 150 (H) x 86 (D) 95 (W) x 150 (H) x 111 (D)				<b>LA2-G3574</b> <b>LA2-G3575</b>		
	<b>Noryl Enclosure – For Corrosion Prone Applications</b> IP66, UL94 Flame Resistance - VO Includes 1 Grounding/Neutral terminal.  With pre-drilled holes for 64 x 64 operator or larger  Without holes	95 (W) x 150 (H) x 86 (D)	LA7-25...32	3 / 4	LA2-G3194	<b>LA2-G3576</b>
		95 (W) x 150 (H) x 111 (D)				<b>LA2-G3577</b>
		125 (W) x 180 (H) x 105 (D)	LA7-25...32	6	With switch Supplied with enclosure	<b>L7-G3664</b>
			LA7-40...63	3 / 4		
		175 (W) x 230 (H) x 120 (D)	LA7-40...63	6	With switch Supplied with enclosure	<b>L7-G3666</b>
			LA7-80...100	3 / 4		
95 (W) x 150 (H) x 86 (D) 95 (W) x 150 (H) x 111 (D)				<b>LA2-G3578</b> <b>LA2-G3579</b>		

**Enclosure Accessories**

Accessory	Description	For use with...	Pkg Qty	Catalog Number
 L7-G3653  L7-G3673	<b>Additional Ground &amp; Neutral Terminals -</b> <ul style="list-style-type: none"> <li>Provision for two</li> <li>One included with enclosures above</li> <li><b>Sold only in quantities of 5. Order 5 pieces to receive one package of 5.</b></li> </ul>	LA2-G357... L7-G366...	5	<b>L7-G3653</b> <b>L7-G3673</b>



**Technical Information**

			<b>16A</b>	<b>25A</b>	<b>32A</b>	<b>40A</b>	<b>63A</b>	<b>80A</b>	<b>100A</b>	<b>Aux. Cont.</b>		
<b>Performance Data</b>												
<b>Rated operational voltage <math>U_e</math></b>	UL/CSA	[V]	600	600	600	600	600	600	600	600		
	IEC ①	[V]	690	690	690	690	690	690	690	690		
<b>Rated insulation voltage <math>U_i</math></b>	UL/CSA	[V]	600	600	600	600	600	600	600	600		
	IEC	[V]	690	690	690	690	690	690	690	690		
<b>Rated impulse voltage <math>U_{imp}</math></b>	UL/CSA	[kV]	8	8	8	8	8	8	8	8		
<b>Test voltage <math>U_t</math></b>	1 minute	[kV]	2.5	2.5	2.5	2.5	2.5	2.5	2.5	2.5		
<b>Lost power, per pole</b>		[W]	0.58	1.0	1.5	1.6	2.4	3.6	5.5	0.4		
<b>Rated Frequency</b>		[Hz]	50/60	50/60	50/60	50/60	50/60	50/60	50/60	50/60		
<b>Conventional free air thermal current <math>I_{th}</math> ①</b>		[A]	25	40	50	63	75	100	120	12		
<b>Conventional enclosed thermal current <math>I_{th}</math> ①</b>		[A]	20	32	40	50	63	80	100	10		
<b>Rated Current <math>I_e</math> ①</b>												
<b>AC-1</b>	Non-inductive or only slightly inductive loads	690V	[A]	16	25	32	40	63	80	100	10	
<b>AC-21A</b>	Switching of resistive loads with slight overload											
<b>Rated Power <math>P_e</math></b>												
<b>AC-23A</b>	Occasional switching of 3Ø motors and other highly inductive loads (criterion for selecting main switches)	230V	[kW]	5.5	7.5	7.5	15	18.5	22	30	–	
		400V	[kW]	7.5	11	15	22	30	37	55	–	
		690V	[kW]	7.5	11	15	18.5	22	37	45	–	
<b>AC-3</b>	Squirrel cage motors; starting and stopping of running motors	230V	[kW]	4	5.5	7.5	11	15	18.5	22	–	
		400V	[kW]	5.5	7.5	11	15	18.5	30	37	–	
		690V	[kW]	5.5	7.5	11	15	18.5	30	22	–	
<b>Short circuit current (Type 2 coordination)</b>												
	Rated conditional short circuit current	400/415V	[kA]	20	20	15	20	15	30	25	–	
	Maximum fuse rating of circuit (type g, G)		[A]	20	25	35	50	63	80	100	–	
	Rated short-time current 1cw, 1s		[A]	800	900	900	1300	1300	2500	2500	–	
<b>Rated breaking capacity AC23A (cosφ 0.45)</b>		230V	[A]	156	296	296	484	484	780	780	–	
		400V	[A]	120	256	256	504	504	800	800	–	
		690V	[A]	70	136	136	196	196	376	376	–	
<b>DC switching capacity</b>												
<b>Rated current <math>I_e</math></b>												
<b>DC-21A</b>	For resistive loads, $T < 1$ ms $U_e$ max = 660V	1 pole	24/48V	[A]	20	25	32	40	63	80	100	–
			110V	[A]	5	5	6	8	10	16	20	–
			220V	[A]	1	1	1	1.5	1.5	3	3	–
			440V	[A]	0.5	0.5	0.5	0.6	0.6	0.7	0.7	–
		2 poles in series	96V	[A]	20	25	32	40	63	80	100	–
			110V	[A]	20	23	25	32	50	70	80	–
			220V	[A]	5	5	6	8	10	16	20	–
			440V	[A]	1	1	1	1.5	1.5	3	3	–
			600V	[A]	0.6	0.6	0.6	0.8	0.8	1	1	–
			110V	[A]	20	25	32	40	63	80	100	–
		3 poles in series	220V	[A]	13	13	15	20	28	50	63	–
			440V	[A]	2.2	2.2	2.2	3.6	3.6	6.5	6.5	–
600V	[A]		1.3	1.5	1.5	2	2	3	3	–		
<b>Rated power <math>P_e</math></b>												
<b>DC-23A, DC-3, DC-5</b>	3 poles in series For inductive loads, $T < 15$ ms	90V	[kW]	1	1.3	1.5	2.9	4.1	5.1	7.2	–	
		110V	[kW]	1	1.1	1.3	2.2	3.3	5.5	7	–	
		220V	[kW]	0.8	0.9	1.1	1.7	2	3.5	4.4	–	
		440V	[kW]	0.6	0.6	0.6	0.9	0.9	1.1	1.1	–	
		600V	[kW]	0.4	0.4	0.4	0.5	0.5	0.9	0.9	–	

① See Conformity to Standards on next page.

**Technical Information (continued)**

			<b>16A</b>	<b>25A</b>	<b>32A</b>	<b>40A</b>	<b>63A</b>	<b>80A</b>	<b>100A</b>	<b>Aux. Cont.</b>
<b>UL/CSA Data</b>										
<b>Continuous current</b>		[A]	16	25	32	40	63	80	100	–
<b>Heavy Pilot Duty</b>		[AC]	A600	A600	A600	–	–	–	–	A600
<b>Standard Duty</b>		[DC]	–	–	–	–	–	–	–	Q600
<b>Motor Rating 60Hz</b>	120V	[FLA]	16	16	16	24	34	56	80	–
		[HP]	1	1	1	2	3	5	7.5	–
Single phase, 2 poles	240V	[FLA]	12	12	17	17	28	50	68	–
		[HP]	2	2	3	3	5	10	15	–
	480V	[FLA]	8.5	8.5	14	21	26	34	68	–
		[HP]	3	3	5	7.5	10	15	30	–
	600V	[FLA]	11.2	11.2	11.2	16	20	27	44	–
		[HP]	5	5	5	7.5	10	15	25	–
Three phase	120V	[FLA]	13.6	13.6	19.2	30.4	40	56	84	–
		[HP]	2	2	3	5	7.5	10	15	–
	240V	[FLA]	9.6	15.2	22	28	42	68	80	–
		[HP]	3	5	7.5	10	15	25	30	–
	480V	[FLA]	11	14	21	27	34	52	65	–
		[HP]	7.5	10	15	20	25	40	50	–
	600V	[FLA]	11	11	17	22	27	52	52	–
		[HP]	10	10	15	20	25	50	50	–

**Short Circuit Ratings**

Maximum short circuit prospective fault current, RMS symmetrical, 600 VAC max.

When protected by Class K5 fuses, maximum amperes of rated fuse	[KA]	5	5	5	5	5	5	5	–
	[A]	25	35	35	80	80	125	125	–
When protected by J Class fuses, maximum amperes of rated fuse	[KA]	~	65	65	65	65	65	65	–
	[A]	~	30	30	60	60	100	100	–

**Mechanical Data**

			<b>16A</b>	<b>25A...32A</b>	<b>40A...63A</b>	<b>80A...100A</b>	<b>Aux. Cont.</b>
<b>Protection class according to IEC 529</b>							
Motor rating 60 Hz	Type 12 / IP66						
Actuators	IP20						
Switch bodies	IP20						
<b>Mechanical life</b>	[millions of operations]	0.2					
<b>Maximum wire gauges</b>							
Terminal size per IEC 947-1		A4	A6	A7	A9	2xA2	
Fine strands	1/2	[AWG] (1)16...10/(2)16...12	(1)14...8/(2)14...10	(1)12...4/(2)12...8	(1)10...1/(2)10...4	18...14	
	conductor	[mm <sup>2</sup> ] (1)1...10/(2)1...4	(1)1.5...16/(2)1.5...6	(1)2.5...25/(2)2.5...16	(1)4...50/(2)4...25	0.75...2.5	
Rigid wire	1/2	[AWG] (1)16...8/(2)16...12	(1)14...8/(2)14...10	(1)12...4/(2)12...8	(1)10...1/(2)10...6	18...14	
	conductor	[mm <sup>2</sup> ] (1)1.5...6/(2)1.5...4	(1)1.5...10/(2)1...6	(1)2.5...16/(2)2.5...10	(1)4...35/(2)4...16	0.5...2.5	
<b>Tightening Torque</b>	max.	[lb-in]	12	12	25	50	8
		[Nm]	1.4	1.4	2.8	5.6	1.0
<b>Ambient Temperature</b>	Operation	[°C]	-25...+60 °C (-13...+140 °F)				
	Storage	[°C]	-40...+80 °C (-40...+176 °F)				

**Conformity to Standards: ①**

IEC 947-1, IEC 947-3 Low voltage switchgear and control gear part 3: Switches, disconnectors, switch-disconnectors and fuse-combination units.

CE

UL 508: Industrial Control Equipment

CSA: C22.2 No. 14: Industrial Control Equipment

**Approvals: ①**

UL Listed (File No. E54612 NLRV)

CSA Certified (LR 13002)

CCC Certified

Meets IEC, VDE and BS standard requirements

IEC/CE Marked (Per EN60947-3)

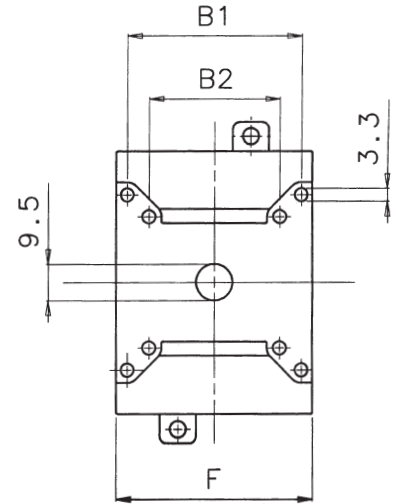
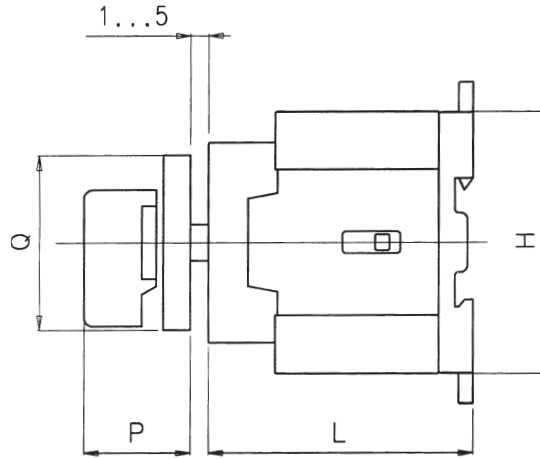
① LA(E)-16 switches are cUL approved.

**LE7 Front Mount (3 Pole) with Screw Fixing Handle**

Dimensions are in millimeters (inches). Dimensions not intended for manufacturing purposes.

Switch Handle		
Type	P	Q
LFS2-A-4	28	48 x 48
LFS2-E-4	28	48 x 48
LFS2-I-4	28	48 x 48
LFS2-L-4	28	48 x 48
LFS2-S-4	28	48 x 62
LFS2-A-6	28	64 x 64
LFS2-E-6	28	64 x 64
LFS2-I-6	28	64 x 64
LFS2-L-6	28	64 x 64
LFS2-S-6	28	64 x 78
LFS7-G-4	34	54 x 54
LFS7-N-4	34	54 x 54
LFS2-G-6	34	67 x 67
LFS2-N-6	34	67 x 67
LFS2-A-8	45	88 x 88
LFS2-I-8	45	88 x 88
LFS2-G-8	49	88 x 88
LFS2-N-8	49	88 x 88

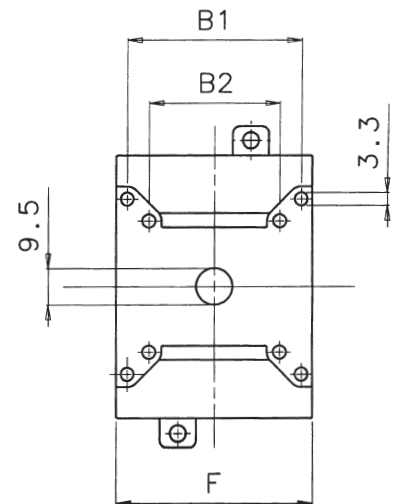
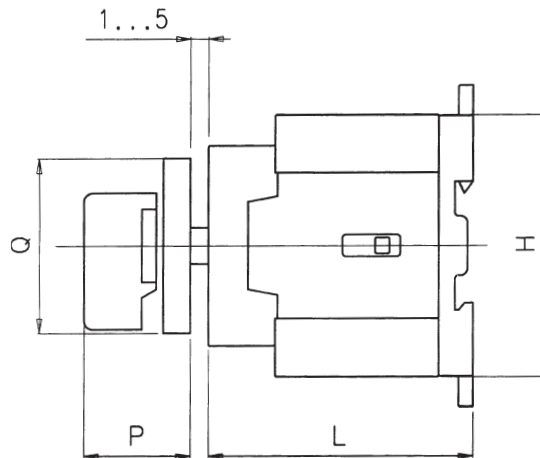
Switch Body					
Type	B1	B2	F	H	L
LE7-16	-	28	36	63	51
LE7-25/32	-	36	45	63	60
LE7-40/63	48	36	54	72	74
LE7-80/100	48	36	72	90	90



**LE7 Front Mount (6 Pole) with Screw Fixing Handle**

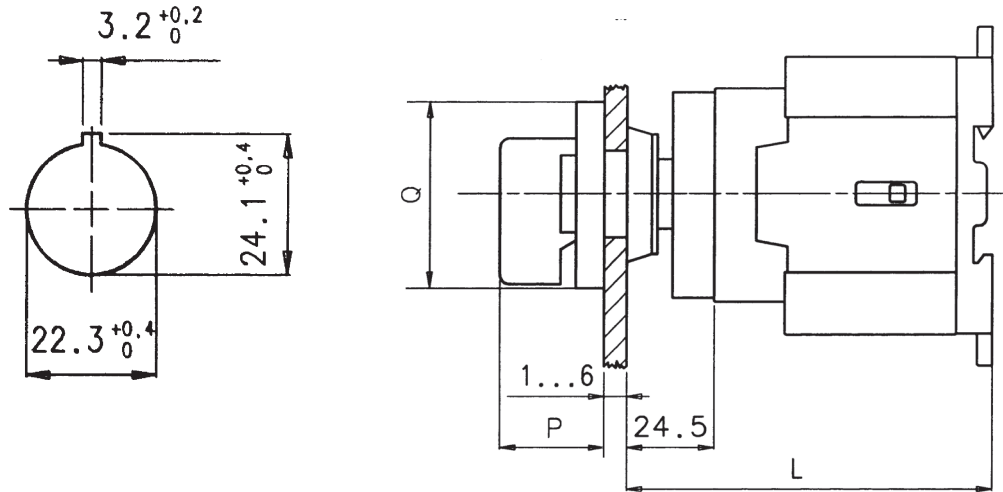
Switch Handle		
Type	P	Q
LFS2-A-4	28	48 x 48
LFS2-E-4	28	48 x 48
LFS2-I-4	28	48 x 48
LFS2-L-4	28	48 x 48
LFS2-S-4	28	48 x 62
LFS2-A-6	28	64 x 64
LFS2-E-6	28	64 x 64
LFS2-I-6	28	64 x 64
LFS2-L-6	28	64 x 64
LFS2-S-6	28	64 x 78
LFS7-G-4	34	54 x 54
LFS7-N-4	34	54 x 54
LFS2-G-6	34	67 x 67
LFS2-N-6	34	67 x 67
LFS2-A-8	45	88 x 88
LFS2-I-8	45	88 x 88
LFS2-G-8	49	88 x 88
LFS2-N-8	49	88 x 88

Switch Body					
Type	B1	B2	F	H	L
LE7-16	-	28	36	63	51
LE7-25/32	-	36	45	63	60
LE7-40/63	48	36	54	72	74
LE7-80/100	48	36	72	90	90



**LE7 Front Mount (3 Pole) with Central Nut Fixing Handle**

Dimensions are in millimeters (inches). Dimensions not intended for manufacturing purposes.

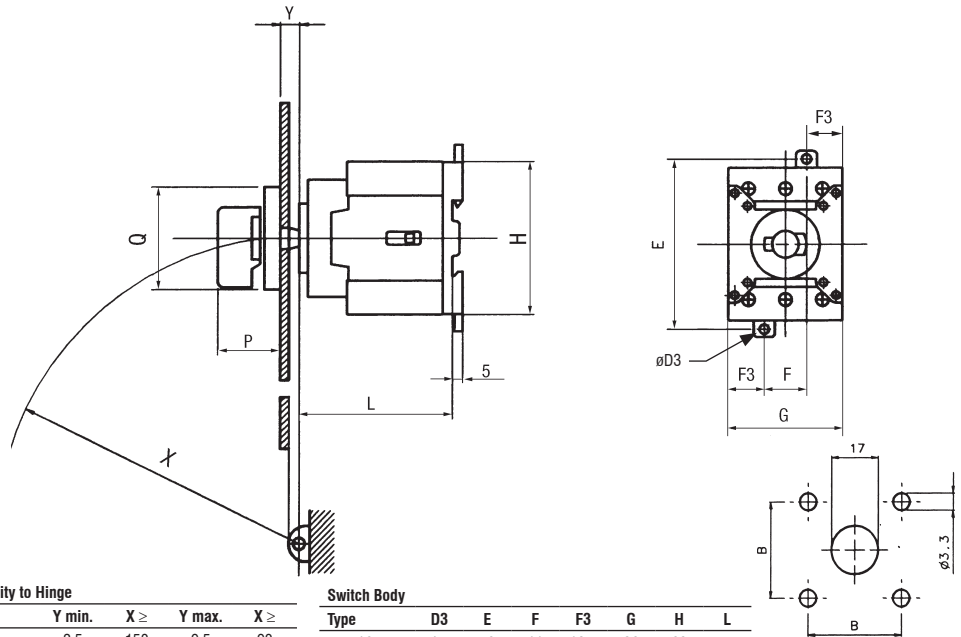


Switch Handle		
Type	P	Q
LFC2-A-4	29	48 x 48
LFC2-E-4	29	48 x 48
LFC2-I-4	29	48 x 48
LFC2-L-4	29	48 x 48
LFC2-G-6	34	67 x 67
LFC2-N-6	34	67 x 67

Switch Body	
Type	L
LE7-16	75.5
LE7-25/32	84.5
LE7-40/63	98.5

**LA7 Base Mount (3 Pole) with Screw Fixing Handle**

Switch Handle			
Type	P	Q	B
LFS2-A-4	28	48 x 48	36
LFS2-E-4	28	48 x 48	36
LFS2-I-4	28	48 x 48	36
LFS2-L-4	28	48 x 48	36
LFS2-S-4	28	48 x 62	36
LFS2-A-6	28	64 x 64	48 (36)
LFS2-E-6	28	64 x 64	48 (36)
LFS2-I-6	28	64 x 64	48 (36)
LFS2-L-6	28	64 x 64	48 (36)
LFS2-S-6	28	64 x 78	48 (36)
LFS7-G-4	34	54 x 54	36
LFS7-N-4	34	54 x 54	36
LFS2-G-6	34	67 x 67	48 (36)
LFS2-N-6	34	67 x 67	48 (36)
LFS2-A-8	45	88 x 88	48
LFS2-I-8	45	88 x 88	48
LFS2-G-8	49	88 x 88	48
LFS2-N-8	49	88 x 88	48



Proximity to Hinge				
Type	Y min.	X ≥	Y max.	X ≥
LE7-16	2.5	150	9.5	90
LE7-25/32	2.5	150	9.5	90
LE7-40/63	2.5	150	9.5	90
LE7-80/100	2.5	150	9.5	90

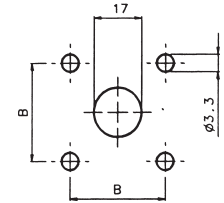
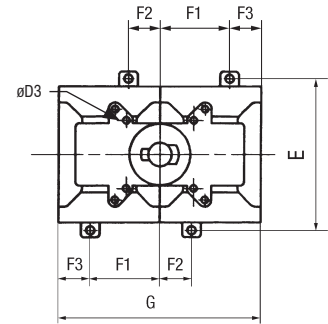
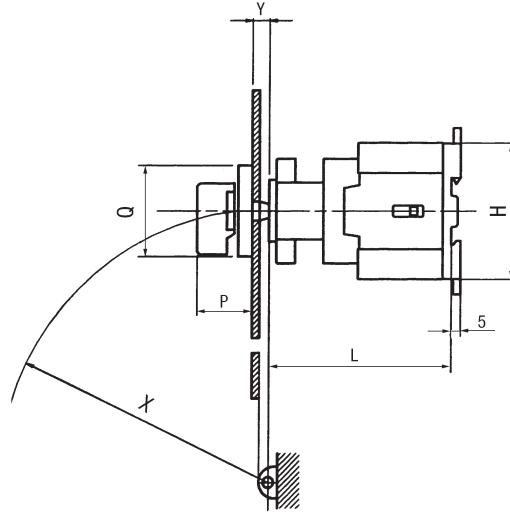
Switch Body							
Type	D3	E	F	F3	G	H	L
LA7-16	4.5	70	11	12.5	36	63	55
LA7-25/32	4.5	70	15	15	45	63	59
LA7-40/63	4.5	80	20	17	54	72	73
LA7-80/100	5.6	95	25	23.5	72	90	89

#### LA7 Base Mount (6 Pole) with Screw Fixing Handle

Dimensions are in millimeters (inches). Dimensions not intended for manufacturing purposes.

##### Switch Handle

Type	P	Q	B
LFS2-A-4	28	48 x 48	36
LFS2-E-4	28	48 x 48	36
LFS2-I-4	28	48 x 48	36
LFS2-L-4	28	48 x 48	36
LFS2-S-4	28	48 x 62	36
LFS2-A-6	28	64 x 64	48 (36)
LFS2-E-6	28	64 x 64	48 (36)
LFS2-I-6	28	64 x 64	48 (36)
LFS2-L-6	28	64 x 64	48 (36)
LFS2-S-6	28	64 x 78	48 (36)
LFS7-G-4	34	54 x 54	36
LFS7-N-4	34	54 x 54	36
LFS2-G-6	34	67 x 67	48 (36)
LFS2-N-6	34	67 x 67	48 (36)
LFS2-A-8	45	88 x 88	48
LFS2-I-8	45	88 x 88	48
LFS2-G-8	49	88 x 88	48
LFS2-N-8	49	88 x 88	48



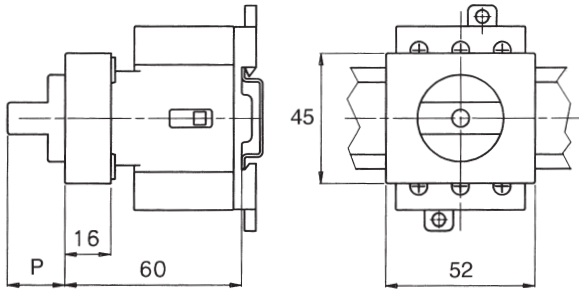
##### Proximity to Hinge

Type	Y min.	X ≥	Y max.	X ≥
LE7-16	2.5	150	9.5	90
LE7-25/32	2.5	150	9.5	90
LE7-40/63	2.5	150	9.5	90
LE7-80/100	2.5	150	9.5	90

##### Switch Body

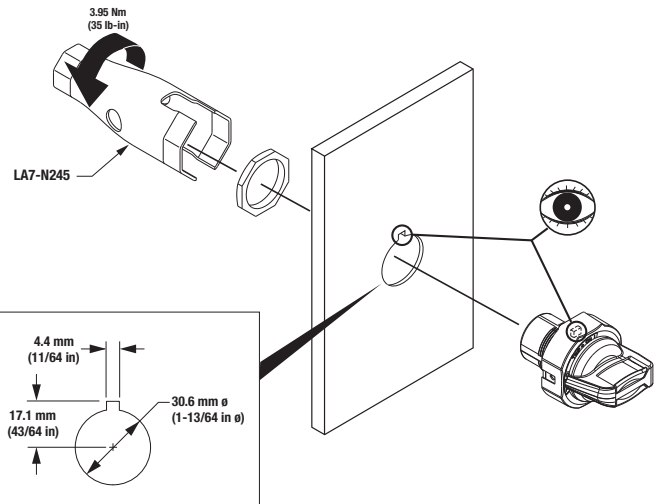
Type	D3	E	F1	F2	F3	G	H	L
LA7-16	4.5	70	xx	12.5	12.5	90	63	55
LA7-25/32	4.5	70	30	15	15	90	63	84
LA7-40/63	4.5	80	37	17	17	108	72	98
LA7-80/100	5.6	95	48.5	23.5	23.5	144	90	114

#### Type Q and Emergency Off Switch

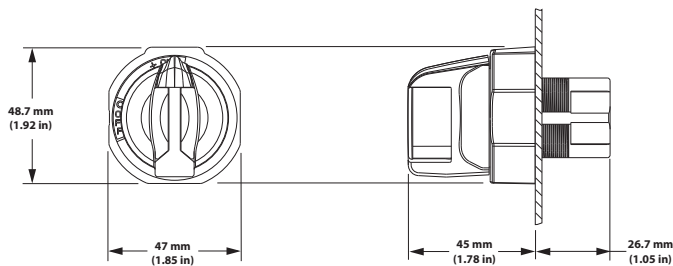


Type	P
LA7-25(32)-1753-Q	20
LA7-25(32)-1753-R	23

#### LA7-SY/SB Assembly

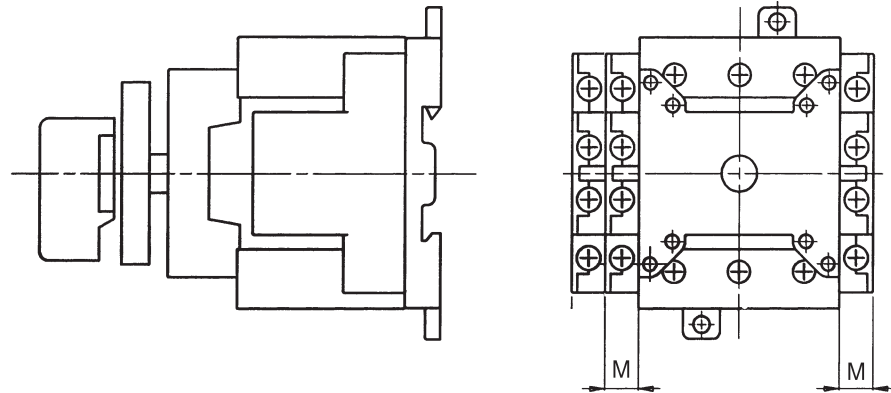


#### LA7-SY/SB (Type R) Switch Handle



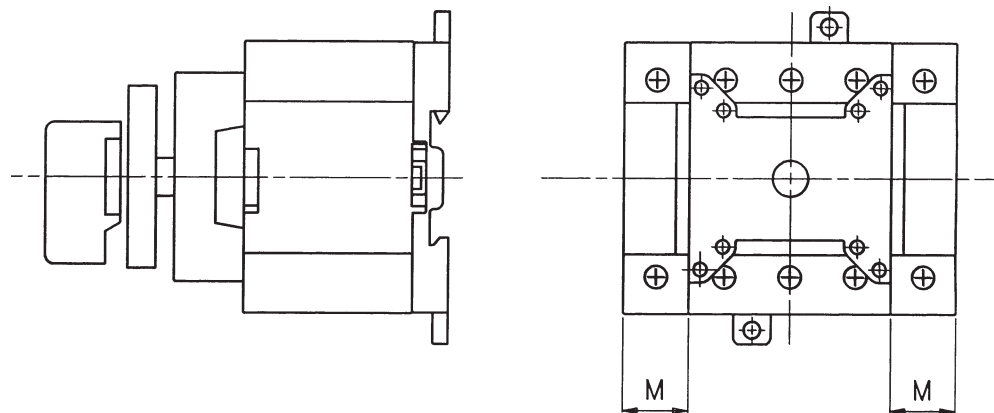
**L7 with Auxiliary Contact Blocks**

Dimensions are in millimeters (inches). Dimensions not intended for manufacturing purposes.



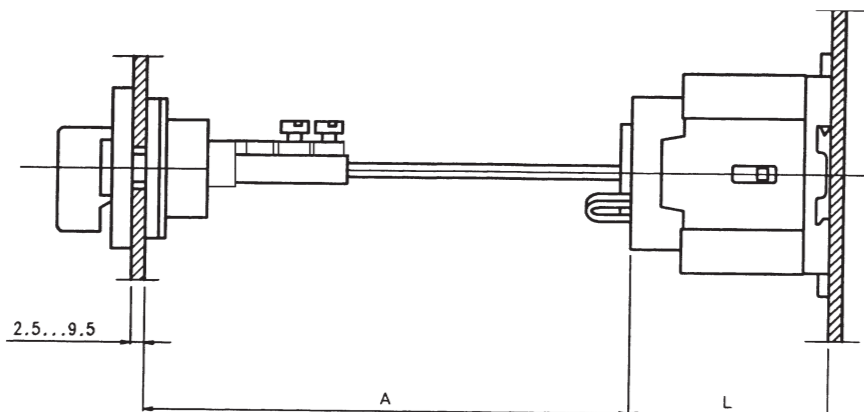
Contacts	M
1 N.O. + 1 N.C.	9
2 N.O. + 2 N.C.	18

**L7 with Ground, Neutral and Fourth Pole**



Type	M
L7-16	12.5
L7-20/32	14
L7-40/63	17.5
L7-80/100	22

**Metal Shaft Extension (LA2-G3393[4])**

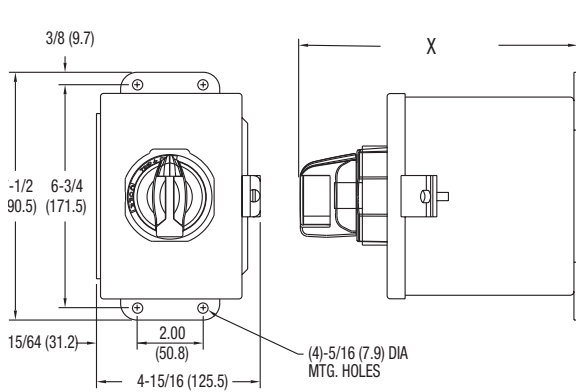


Switch Body	
Type	L
LA7-16	55
LA7-20/32	59
LA7-40/63	73
LA7-80/100	89

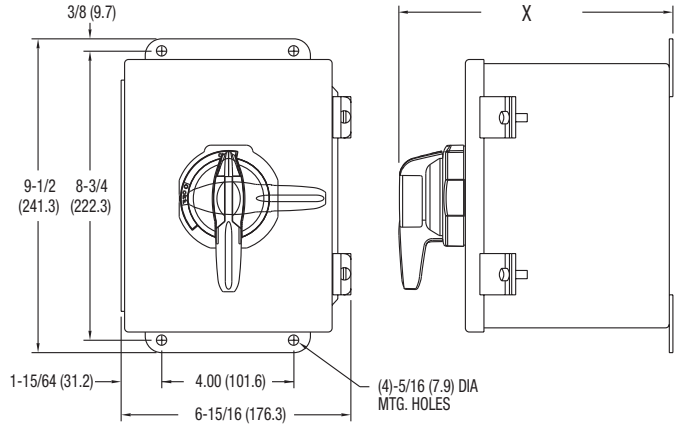
Shaft	
Type	A
LA2-G3393	110...235
LA2-G3394	230...350

**L7 Enclosed Motor Disconnect**

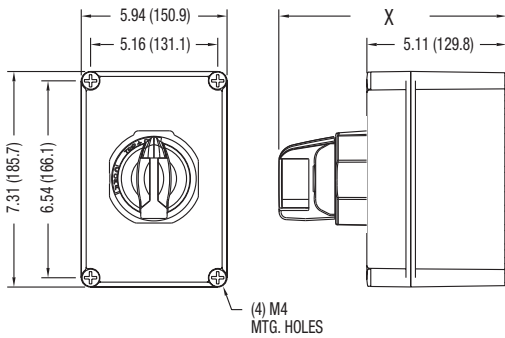
Dimensions are in inches (millimeters). Dimensions not intended for manufacturing purposes.



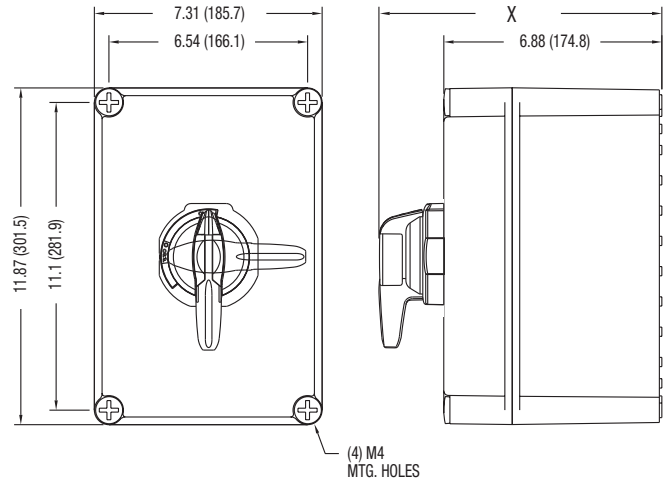
DIMENSION CODE A



DIMENSION CODE B



DIMENSION CODE C



DIMENSION CODE D

Dimension Code	Handle	Dim X	
		inches	mm
A	LA7-SY/SB	6-9/16	166.8
	LFS2- -6*	6-1/8	155.8
B	L11-PB/PY	7-1/16	180.1
	LFS2- -6*	6-11/16	169.1
C	LA7-SY/SB	6-1/4	158.7
	LFS2- -6*	5-13/16	147.7
D	L11-PB/PY	8	203.7
	LFS2- -6*	7-9/16	192.7

LY7 Enclosed Load Disconnect Switch (and Thermoplastic Enclosures)

Dimensions are in millimeters (inches). Dimensions not intended for manufacturing purposes.

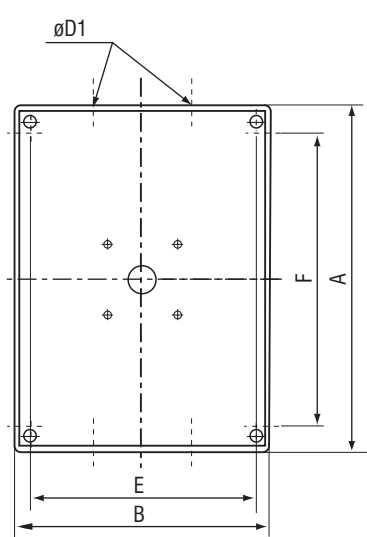


Figure 1

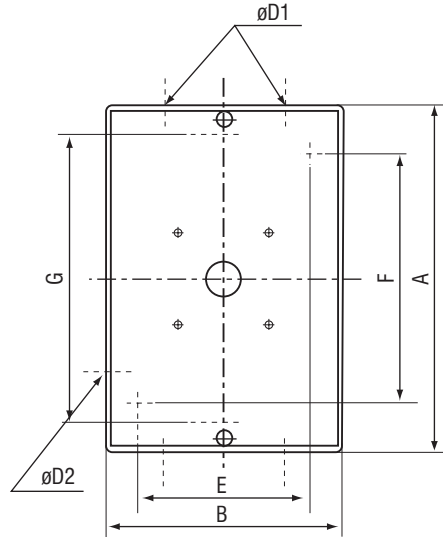
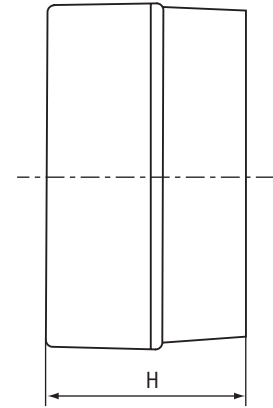


Figure 2



Enclosure Side View

Type	Figure	Poles	Enclosure		Height		Width		Knock Outs		Mounting Holes			Depth H
			ABS	Noryl	A	B	øD1	øD2	E	F	G			
LY7-16M	2	3	❶	❶	118	70	16/20	~	50	105	~	70		
	2	6	L7-G3663	L7-G3664	180	125	25/30	~	~	~	145	105		
LY7-25/32	2	3/4	LA2-G3572	LA2-G3576	150	95	22.5/28.5	22.5	60	115	~	86		
	2	6	L7-G3663	L7-G3664	180	125	28.5/37.5	~	~	~	145	105		
LY7-40/63	2	3/4	L7-G3663	L7-G3664	180	125	28.5/37.5	~	~	~	145	105		
	1	6	L7-G3665	L7-G3666	230	175	37.5/47.5	~	155	195	~	120		
LY7-80/100	1	3/4	L7-G3665	L7-G3666	230	175	37.5/47.5	~	155	195	~	120		

❶ Empty enclosures not available for purchase  
 ❷ LA7-16 units have one knock-out on each end. All others have two knock-outs on each end.



