

LOCKING UTILITY CABINETS, TYPE 1



INDUSTRY STANDARDS

UL 50, 50E Listed; Type 1; File Number E27567
 cUL Listed per CSA C22.2 No 40; Type 1; File Number E27567
 NEMA/EEMAC Type 1
 IEC 60529, IP30

APPLICATION

Key hook and shelf models of this cabinet protect fuses and other components and can be equipped with a combination lock for applications that require security.

SHELF MODELS A242412UC, A302412UC, A363012UC
 Shelf cabinets provide a level of security for storage of equipment, fuses, and other components. Two shelves included with shelf models are easily adjusted without tools by placing tabs in slots located on enclosure sides.

KEY HOOK MODEL A12122UC

Use as a key cabinet or a hanging locker to organize items that require a level of security. Key hook model has integral hooks assembled in door and back of enclosure.

FEATURES

- Four mounting keyholes in back of enclosure
- Removable door with reversible hinge; door can hinge from either left or right side and can be changed without tools
- Door has quarter-turn key lock; two keys included
- Combination lock is available as an accessory and is interchangeable with standard cutout and latch cam
- Retractable spring hinge
- No gasketing

SPECIFICATIONS

- 16 or 14 gauge steel

FINISH

ANSI 61 gray polyester powder paint finish inside an out

ACCESSORIES

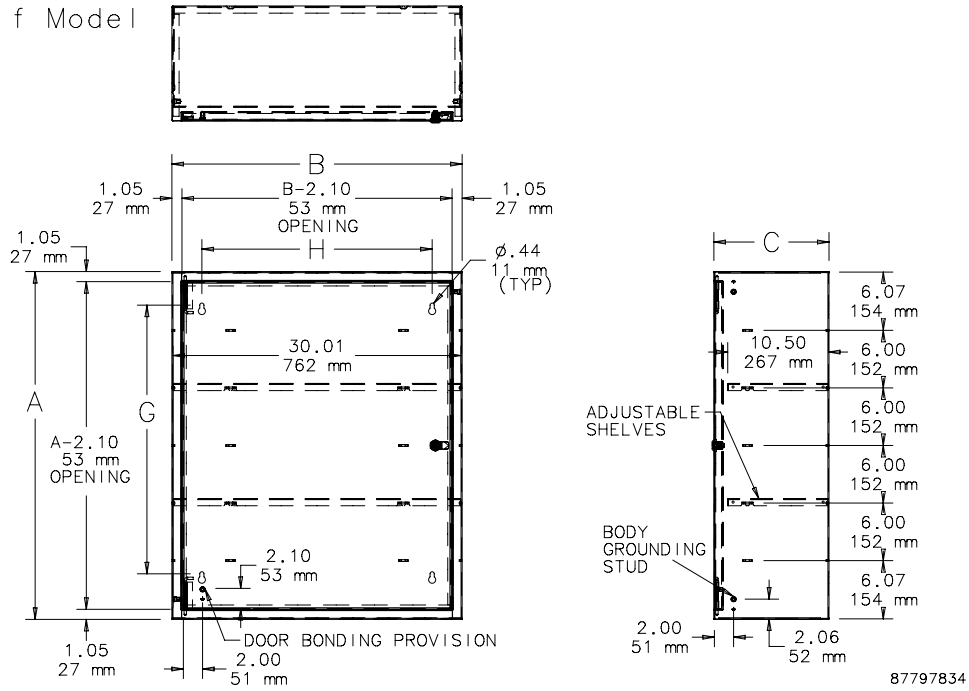
See also Accessories.
 Double-Sided, Solid Aluminum Shelf
 Combination Lock
 Touch-Up Paint

BULLETIN: A1UC

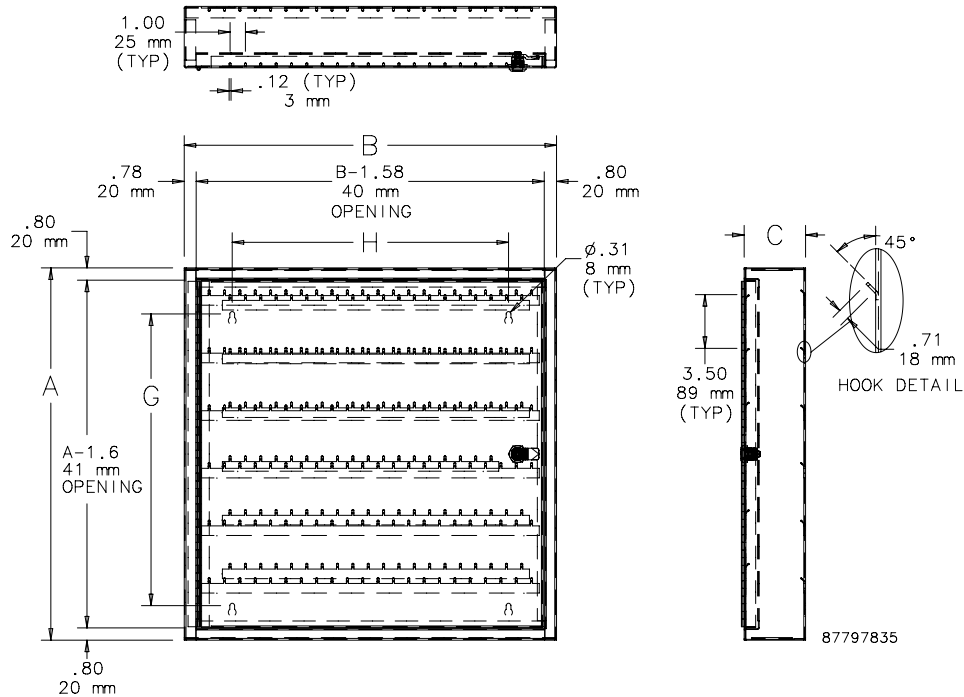
Standard Product

Catalog Number	AxBxC in./mm	Description	Mounting Holes G in./mm	Mounting Holes H in./mm	Maximum No. Shelf Locations/Hooks
A242412UC	24.00 x 24.00 x 12.00 610 x 610 x 305	Shelf Model	16.00 406	18.00 457	3 Shelves
A302412UC	30.00 x 24.00 x 12.00 762 x 610 x 305	Shelf Model	22.00 558	18.00 457	4 Shelves
A363012UC	36.00 x 30.00 x 12.00 914 x 762 x 305	Shelf Model	28.00 711	24.00 610	5 Shelves
A12122UC	12.00 x 12.00 x 2.00 305 x 305 x 51	Key Hook Model	7.00 178	7.25 184	52 Hooks

Shelf Model



Key Cabinet



LOCKING UTILITY CABINETS ACCESSORIES

BULLETIN: A1UC, DWS12

Catalog Number	Description
A30S12UC	Double-Sided, Solid Aluminum Shelf
PTLCMB3B	Combination Lock